

Manual

**Twinwire fence with  
round post – Professional.**

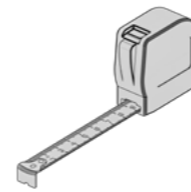
## Personal protective equipment.

Twinwire fence with round post



## What is needed to install the fence?

Twinwire fence with round post



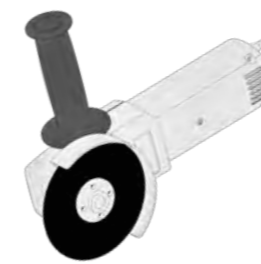
Tape measure



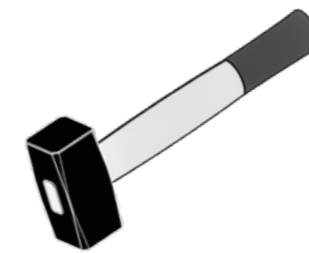
Rope / wire



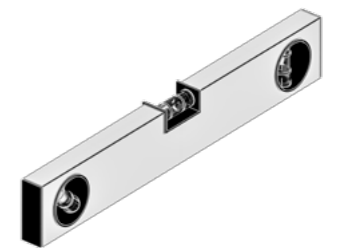
Shovel / Auger



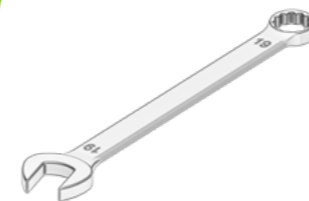
Angle grinder



(Rubber) Hammer



Level



Wrench



Socket wrench 10mm

**Make it even easier for yourself.  
The following could also  
come in handy!**

- Postdriver
- Blanket voor een zachte ondergrond.
- Boxcutter
- A piece of wood in the same size as a fencepanel.

## Check your order.

Twinwire fence with round post

The fencing, the posts, the gate and concrete are delivered on a pallet, possibly on several for large orders. Small orders are placed upright and tied to a wooden trestle and finally sealed. Large orders transported on big pallets are usually not sealed in foil.



Check the goods upon delivery and note any damage on the consignment note before signing. **(after signing the right of complaint expires).**



Keep the order in a safe and covered place until assembly to keep it in good condition.

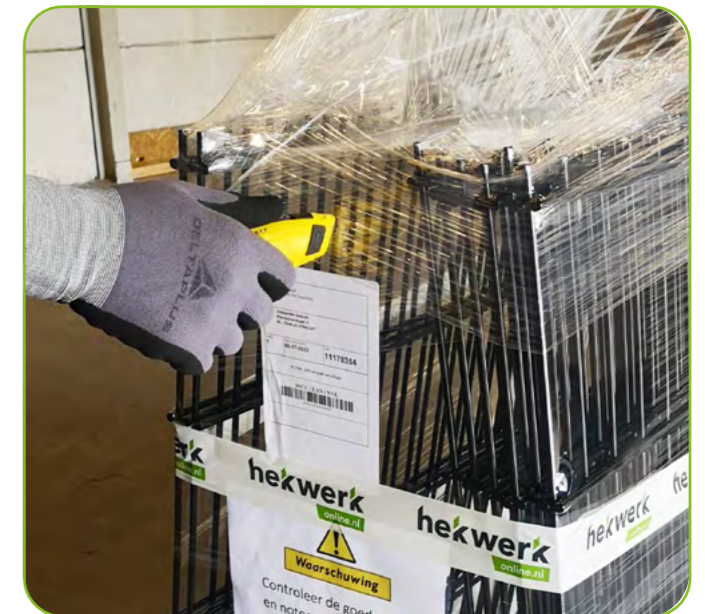


## Carefully remove the products from the pallet.

Twinwire fence with round post

Carefully cut open the foil with a boxcutter without damaging the products (Best on the short side of the pallet).

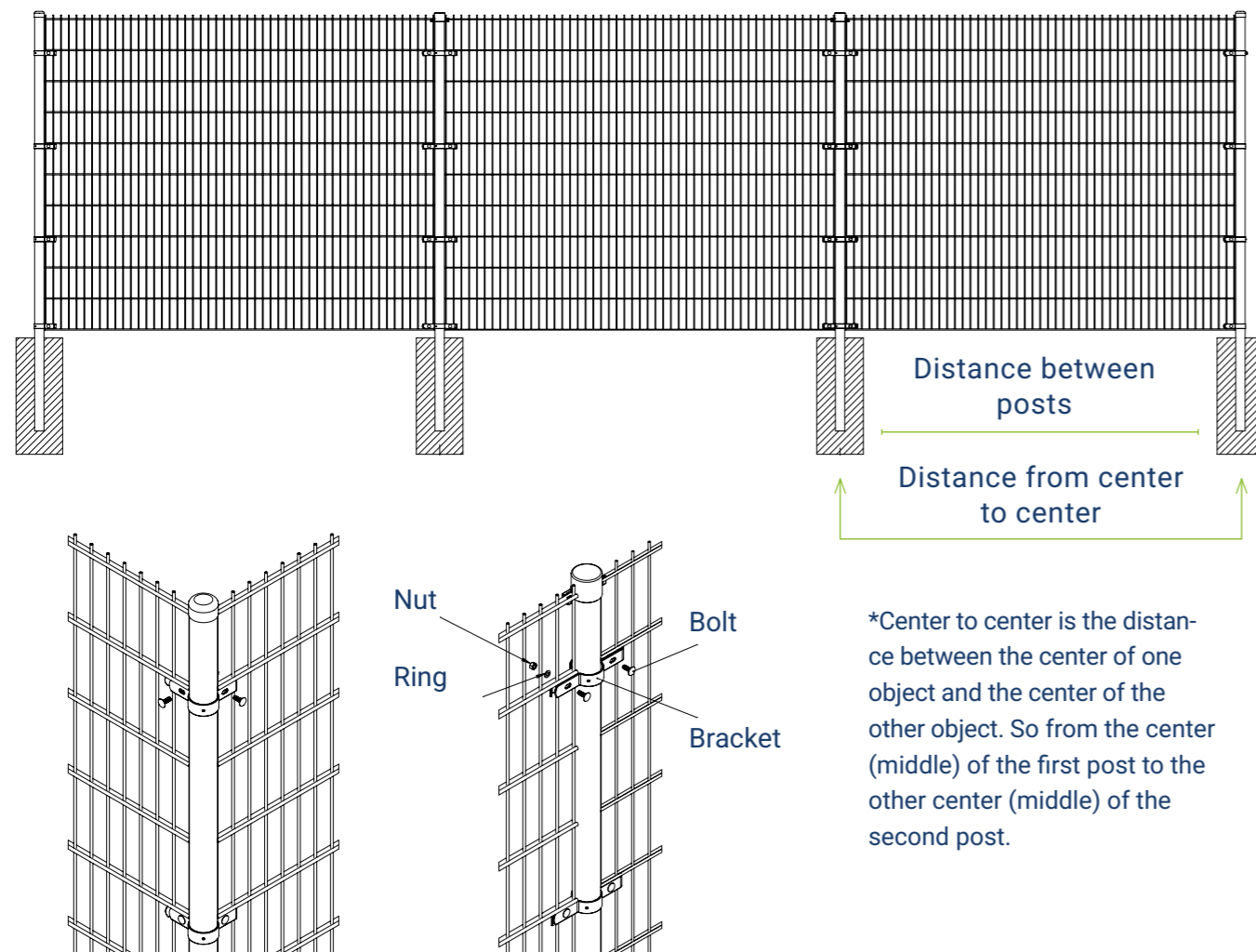
Then cut the green straps and pull them off the pallet. Carefully remove the products from the pallet.



Do you have posts or cover strips with your order? Make sure to lift them up properly when you remove them from the pallet, this way you prevent scratches.

## Overview: Twinwire fence with round posts.

Twinwire fence with round post

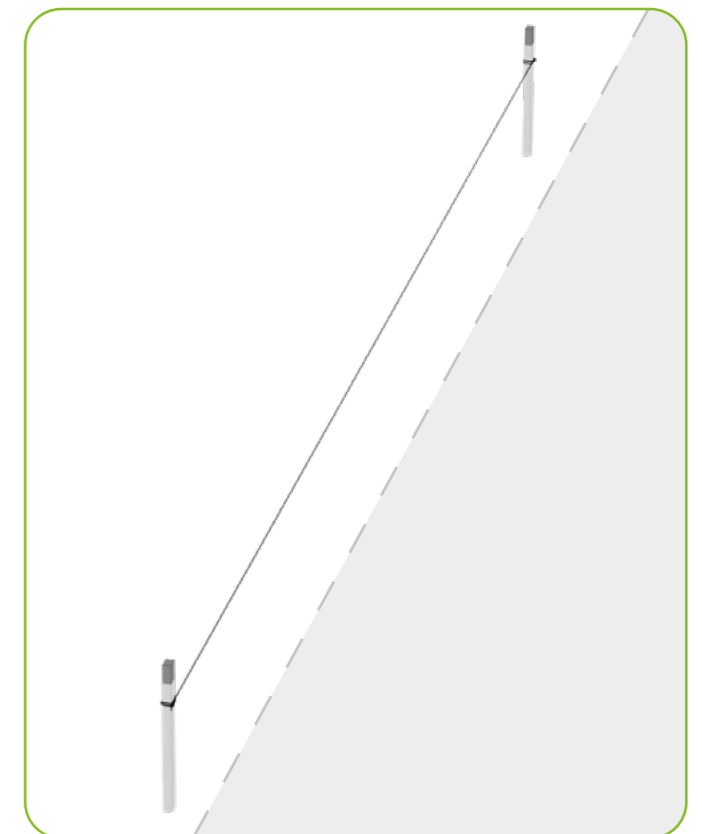


\*Center to center is the distance between the center of one object and the center of the other object. So from the center (middle) of the first post to the other center (middle) of the second post.

## Preparation: Measuring is knowing.

Twinwire fence with round post

- 1 Level the ground at the location where the fencing will be placed. Free up enough space to work properly.
- 2 Determine the starting point of your fence. This starting point must not be able to change in dimensions later.
- 3 Measure where the posts should be placed. For correct positioning of the posts, measure from the center of the posts. (The heart to heart\*) The fence overlaps about 1 cm per post with the post. So you calculate the length of the fence minus one cm on both sides to know the space between the posts.
- 4 Stretch a wire along which your fence must be placed. Use picket posts here if necessary.
- 5 It is advisable to use for example a piece of wood in the size of the fence, so you don't need a fence to measure between the posts with a fence.

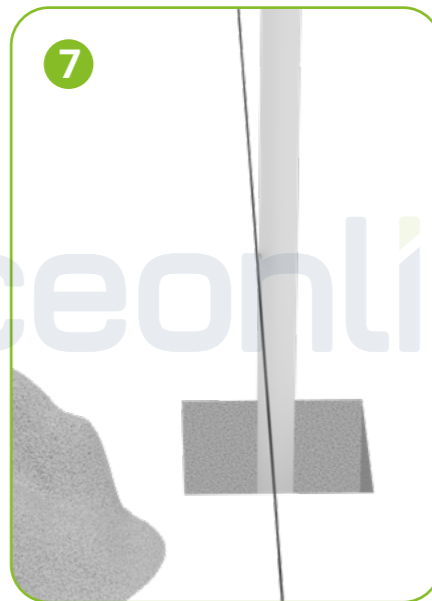


## Assembly: The first post.

Twinwire fence with round post



**Dig or drill a hole** of approximately 30 x 30 cm where the first post is to be placed. Remove any stones, roots or other material from the ground where the posts will be placed.



**Place the post in the hole.** Check if it is level and place it against the stretched wire. Then bring it into the ground to the correct height. Use one if necessary a post driver. The round post generally goes 80 cm into the ground. We recommend keeping the fencing minimal 5 cm above ground level to place.



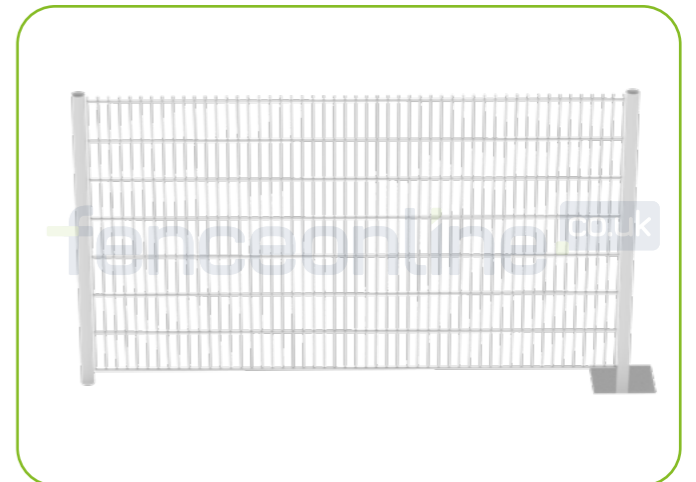
Secure the post with (quikdrying) concrete. For fencing higher than 1 meter, we recommend to always secure the posts with (quikdrying) concrete. Follow the instructions on the packaging. Let the concrete harden before mounting the fencepanels.

## Assembly: The second post and the first fencepanel.

Twinwire fence with round post

It is wise to install the fences with two or more people.

We recommend installing the fencing fence by fence. So don't start with all the posts and then the fences. When it turns out that the space between the posts are not correct, the posts that follow will all have to be corrected as well. **Posts that are set in concrete are not easy to move.**



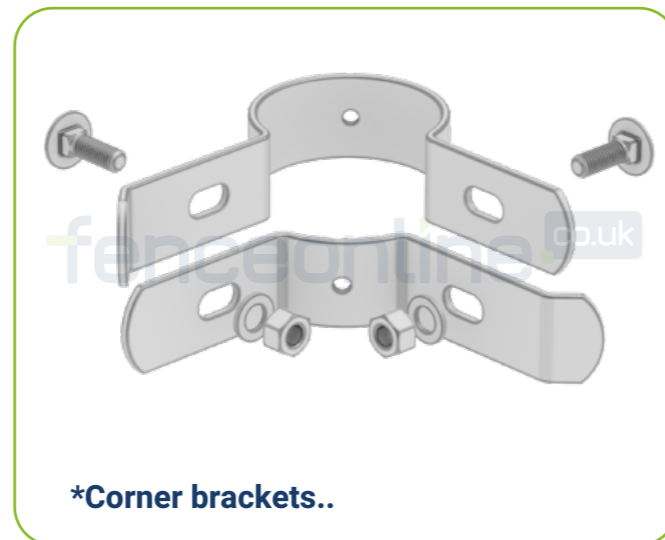
Measure from the first post with a fence or with a batten where the second post should be, dig or drill another hole and level the post in concrete. When you are mounting the brackets later, place the nuts to the bolts, but don't tighten them yet. This way, the fence is in place, but can be corrected later. Then do the same to the next post. Work your way to the end, fence by fence and post by post.

**8** Prepare the brackets for mounting. Divide the brackets over the number of posts to see how many are needed per post. Also sort the end, middle and corner brackets.

Then determine at what heights you want to place the brackets. Mount the brackets at 400 - 600 mm from each other. Take into account space for the caps that will be placed on the posts later.

## Assembly: Sorting the brackets.

Twinwire fence with round post



**Tip:** You might drop a nut or a bolt during assembly. To prevent you from losing it, you can place a (moving) blanket or plastic bag at the bottom of the pole that will catch it.

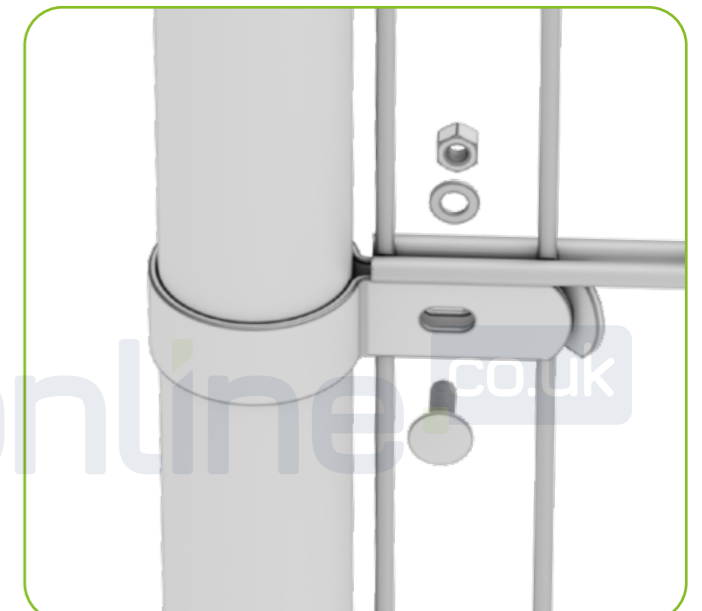
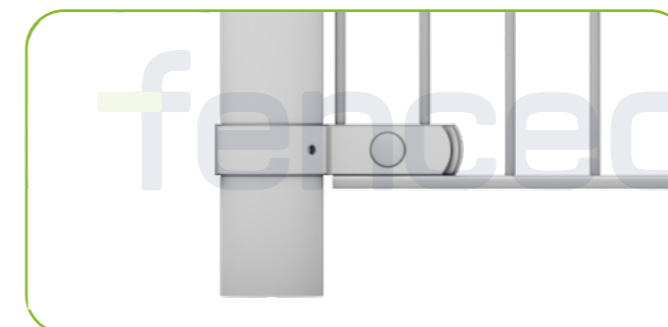
## Assembly: Assemble the fence with an end bracket.

Twinwire fence with round post

- 10** Slide the correct amount of end brackets over the post (depending on the height of the fence) and slide the fencepanel between the bracket far enough so that the tabs of the bracket are over two bars.

Insert the carriage bolt through the bracket and on the other side of the bracket place the lock washer and nut on the bolt and tighten, but do not tighten yet. You can rest the gate on a raised platform so that it is approximately at the right height, but make sure that the gate cannot fall over while you secure the other side of the gate.

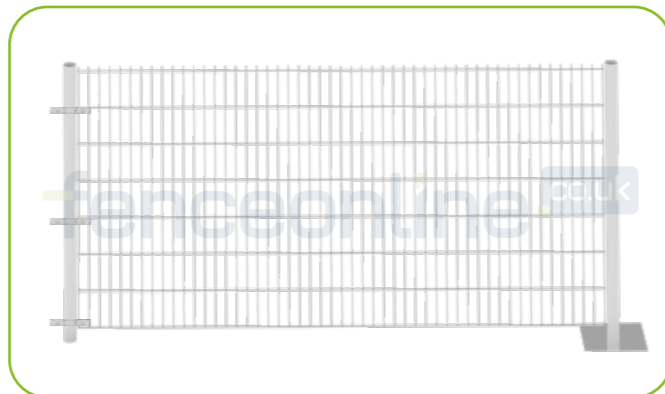
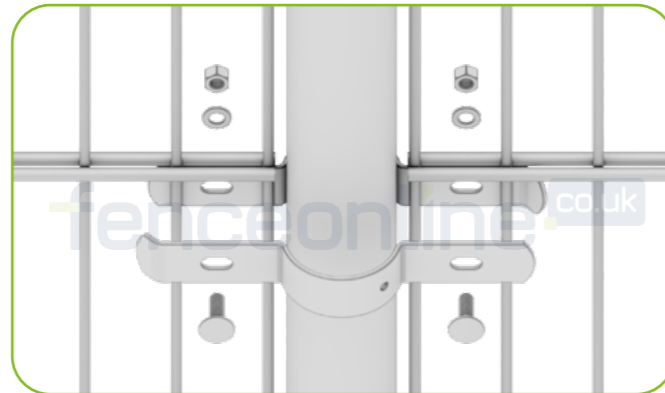
Make sure the lower bracket is above the twin bar and attached to the fence. When placing the bolts, take into account the direction in which you insert the bolt. Prevent the nut from being loosened the from outside of the fence.



## Assembly: Assemble the fence with a middle bracket.

Twinwire fence with round post

- 11** When attaching the first gate with the intermediate brackets, the second fence panel must be placed between the brackets at the same time. Place the second fence against the post and place one intermediate bracket part against one side of the gate. Then place the second part of the bracket against the other side and tighten the brackets together with bolt, nut and washer, but still not fully tightened. Then dig or drill the next hole and secure the next post in the same way. Repeat until the fence is finished.



## Assembly: Assemble the fence with the corner bracket.

Twinwire fence with round post

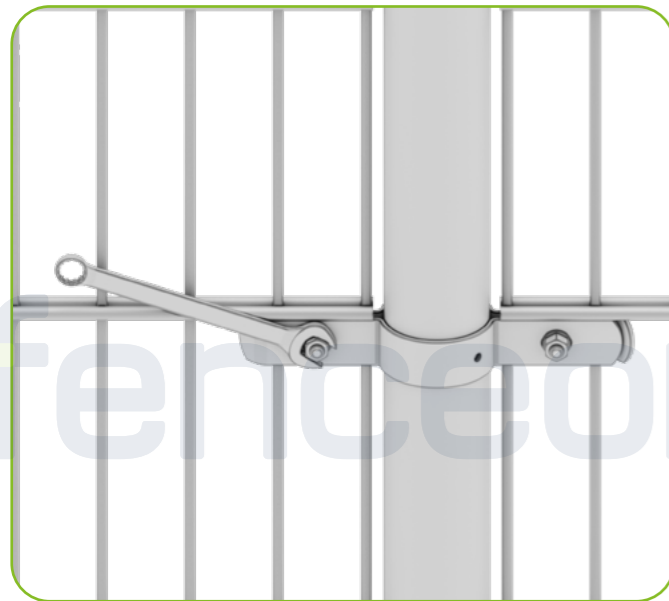
- 12** When the fencing goes around a corner, use the corner brackets. The corner bracket consists of two parts, a small part and a large part. It is best to carefully slide the large part over the post to prevent damage. When all the brackets that are needed are on the post, you can put the fence against the bracket. Secure these in the same way as the intermediate brackets. Hold the smaller bracket part against it, insert the bolts and screw on the nuts together with the washers.



## Assembly: Level the fence and tighten the brackets.

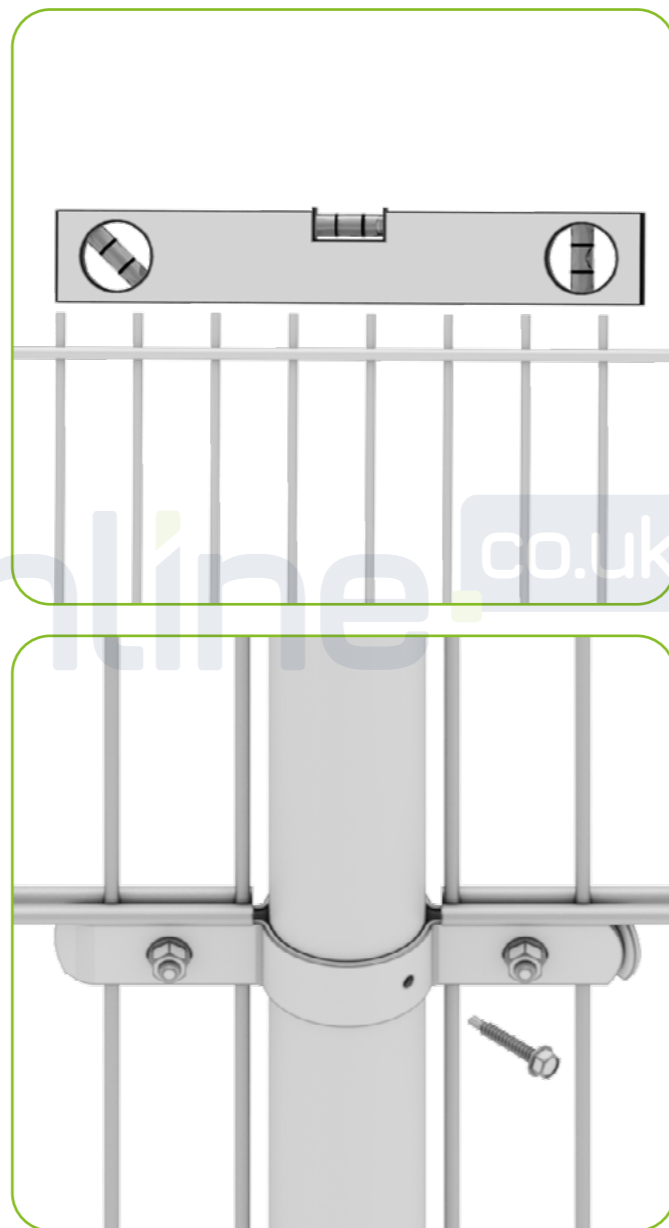
Twinwire fence with round post

- 13** Start again at the first fencepanel.  
Keep the fence at the correct height  
and level the fence with a spirit level.



- 14** Then tighten the nuts tightly with a  
socket wrench or wrench.

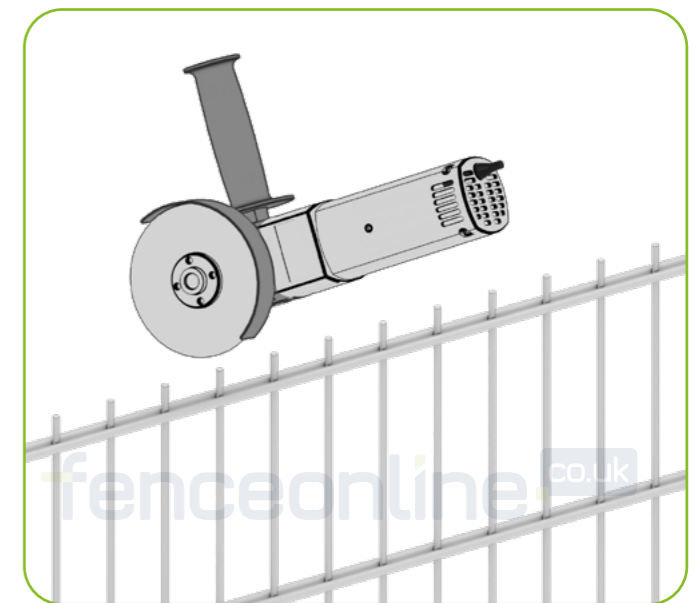
- 15** When all fences are levelled and the  
brackets are tightened, take a  
self-tapping screw and screw it in each post  
into the hole in the top bracket. One screw per  
post is enough.



## Assembly: Shorten a fence panel.

Twinwire fence with round post

- 16** If you want to place a fencepanel  
that needs to be shortened, you  
can shorten it with an angle grinder.  
Use the spray can to paint over the grinded  
part of the fence to prevent rust.

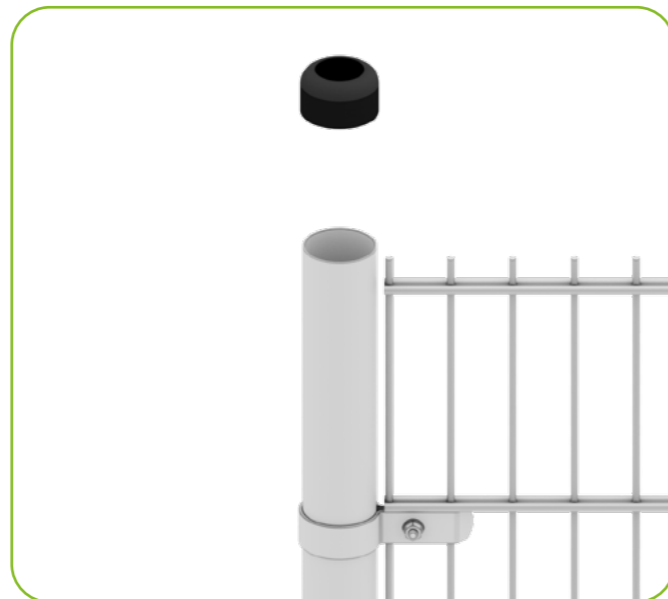




## Final action: Placing the post caps.

Twinwire fence with round post

- 17 As a final action, place the caps on the posts.



## Congratulations, your fence is up!

Twinwire fence with round post

- 17 Do not forget to take pictures of your fence and send them to: [customerservice@fenceonline.co.uk](mailto:customerservice@fenceonline.co.uk)  
Or post them with #fenceonline!



Did you find this manual useful?  
We would love to hear your feedback!



Send your reactions to:  
[customerservice@fenceonline.co.uk](mailto:customerservice@fenceonline.co.uk)

**You made a great choice,  
these people also bought  
this fence!**

Twinwire fence with round post

