

**Manual
Twinwire fence
with 60x40 mm post
and U-bracket.**

fenceonline.co.uk

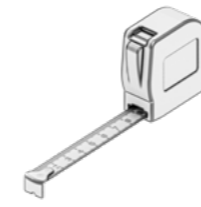
Personal protective equipment.

Dubbelstaafmat met U-beugel



What is needed to install the fence?

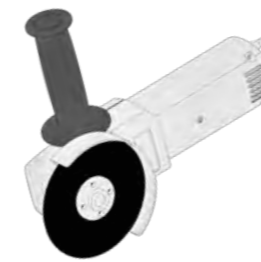
Dubbelstaafmat met U-beugel



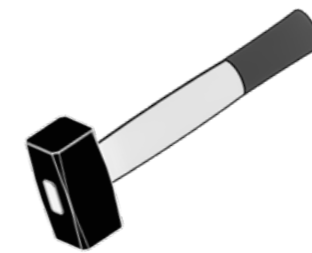
Tape measure



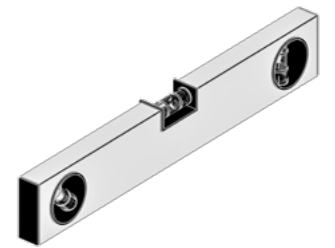
Shovel / auger



Angle grinder



(Rubber) Hammer



Level



Rope / wire



Socket wrench 10mm

**Make it even easier for yourself.
The following could also
come in handy!**

- Postdriver
- Blanket voor een zachte ondergrond.
- Boxcutter
- A piece of wood in the same size as a fencepanel.

Check your order.

Dubbelstaafmat met U-beugel

The fencing, the posts, the gate and concrete are delivered on a pallet, possibly on several for large orders. Small orders are placed upright and tied to a wooden trestle and finally sealed. Large orders transported on big pallets are usually not sealed in foil.



Check the goods upon delivery and note any damage on the consignment note before signing. **(after signing the right of complaint expires).**



Keep the order in a safe and covered place until assembly to keep it in good condition.

Carefully remove the products from the pallet.

Dubbelstaafmat met U-beugel

Carefully cut open the foil with a boxcutter without damaging the products (Best on the short side of the pallet).

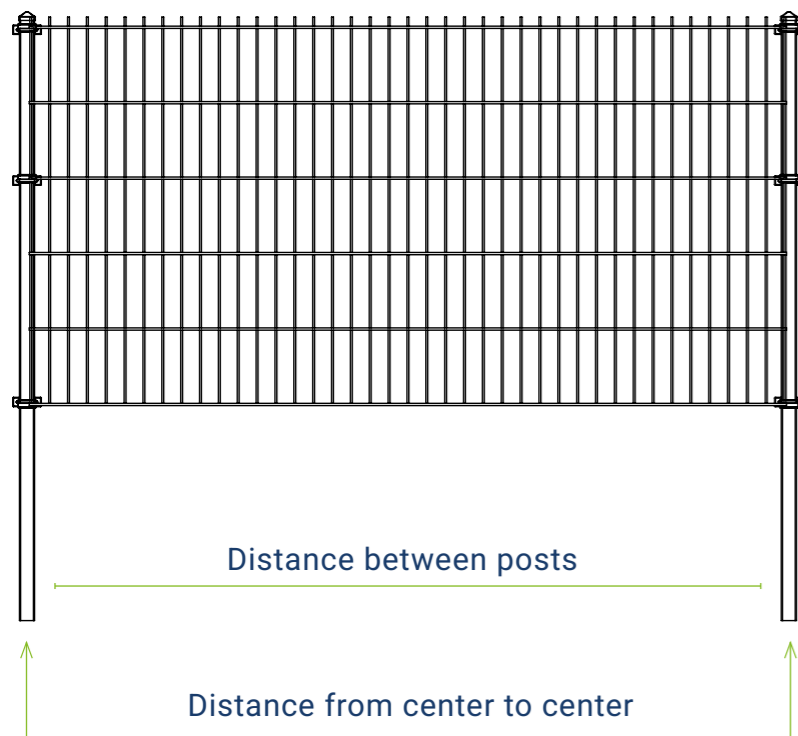
Then cut the green straps and pull them off the pallet. Carefully remove the products from the pallet.



Do you have posts or cover strips with your order? Make sure to lift them up properly when you remove them from the pallet, this way you prevent scratches.

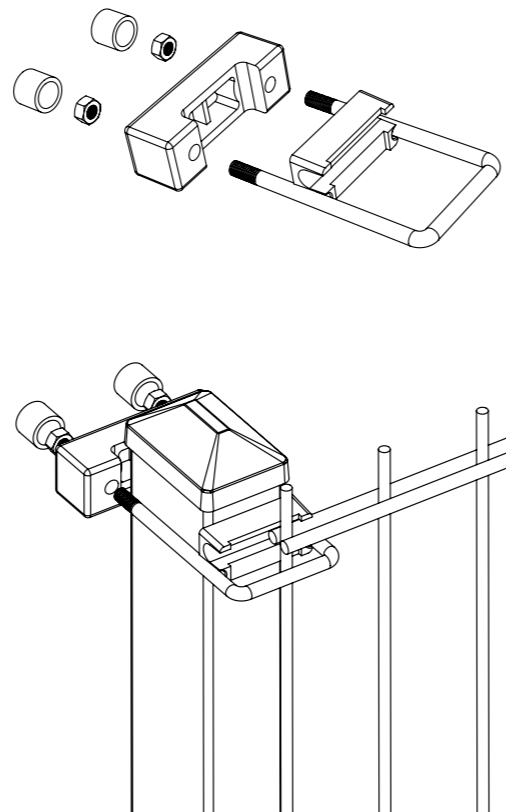
Overzicht hekwerk met U-beugel en 60x40 mm paal.

Dubbelstaafmat met U-beugel



*Center to center is the distance between the center of one object and the center of the other object. So from the center (middle) of the first post to the other center (middle) of the second post.

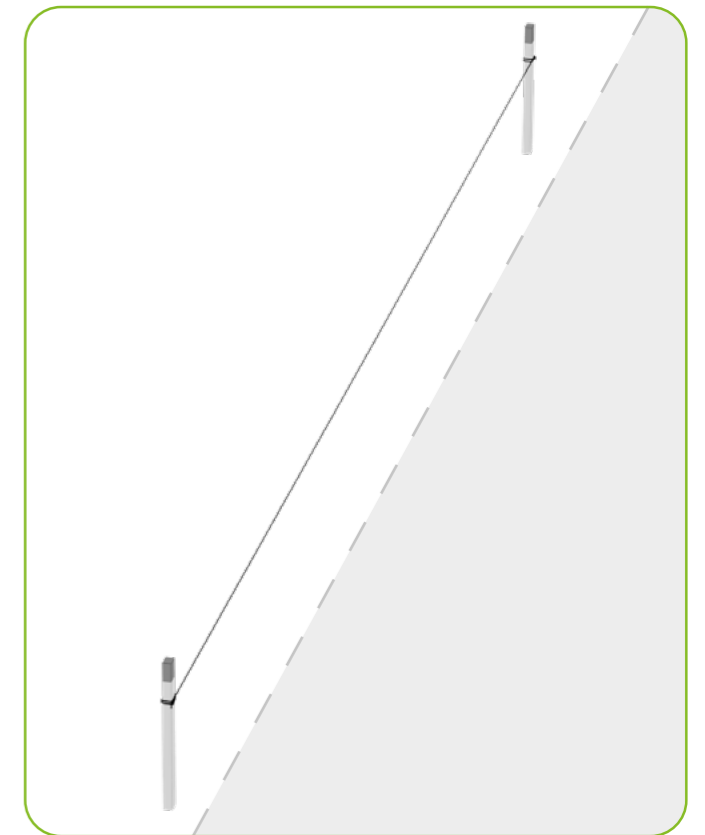
First carefully read the manual and make a plan of action before you start assembling!



Preparation: Measuring is knowing.

Dubbelstaafmat met U-beugel

- 1 Level the ground at the location where the fencing will be placed. Free up enough space to work properly.
- 2 Determine the starting point of your fence. This starting point must not be able to change in dimensions later.
- 3 Measure where the posts should be placed. For correct positioning of the posts, measure from the center of the posts. (The center to center*) The fence overlaps about 1 cm per post with the post. So you calculate the length of the fence minus one cm on both sides to know the space between the posts.
- 4 Stretch a wire along which your fence must be placed. Use picket posts here if necessary.
- 5 It is advisable to use for example a piece of wood in the size of the fence, so you don't need a fence to measure between the posts with a fence.



Assembly: The first post.

Dubbelstaafmat met U-beugel



6 **Dig or drill a hole** of approximately 30 x 30 cm where the first post is to be placed. Remove any stones, roots or other material from the ground where the posts will be placed.



7 **Place the post in the hole.** Check if it is level and place it against the stretched wire. Then bring it into the ground to the correct height. Use one if necessary a post driver. The 60x40 mm post generally goes 60 cm into the ground. We recommend keeping the fencing minimal 5 cm above ground level to place.



8 Secure the post with (quikdrying) concrete. For fencing higher than 1 meter, we recommend to always secure the posts with (quikdrying) concrete. Follow the instructions on the packaging. Let the concrete harden before mounting the fencepanels.

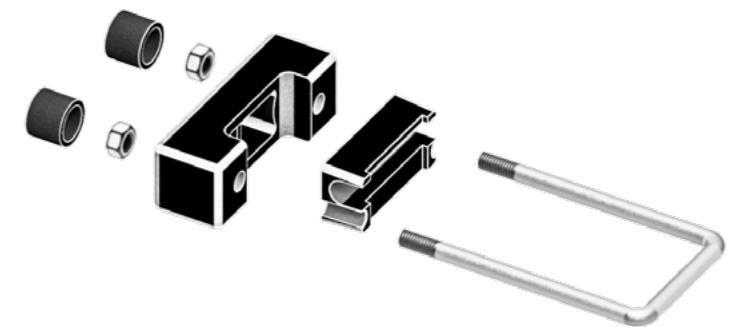
Assembly: Preparation of the brackets.

Dubbelstaafmat met U-beugel

It is wise to install the fences with two or more people.

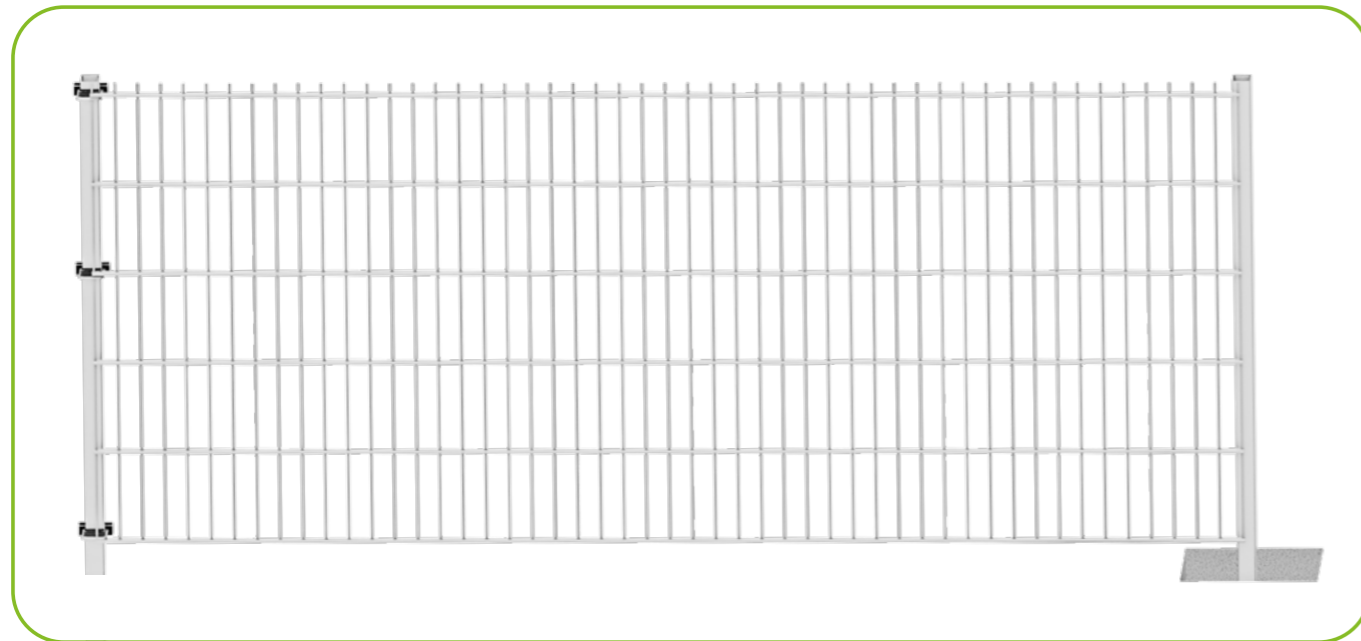
9 Prepare the brackets for mounting. Divide the brackets over the number of posts to see how many are needed per post. Then determine at what heights you want to place the brackets. Mount the brackets at 400 - 600 mm from each other.

We recommend installing the fencing fence by fence. So don't start with all the posts and then the fences. When it turns out that the space between the posts are not correct, the posts that follow will all have to be corrected as well. **Posts that are set in concrete are not easy to move.**



Assembly: Assembling of the fence.

Dubbelstaafmat met U-beugel



Tip: You might drop a nut or bolt during assembly. To prevent you from losing it, you can place a blanket at the bottom of the post that will catch it.

- 10** Determine which side you will place the gate and nuts on. We advise to for safety, do not fasten the nuts on the outside as they could become loose.

Place the first fence panel against the first two posts and hold the small black block of the bracket between the post and the fence.



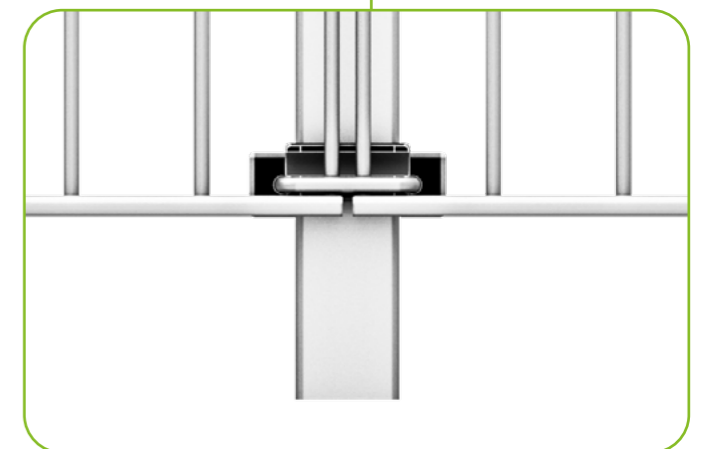
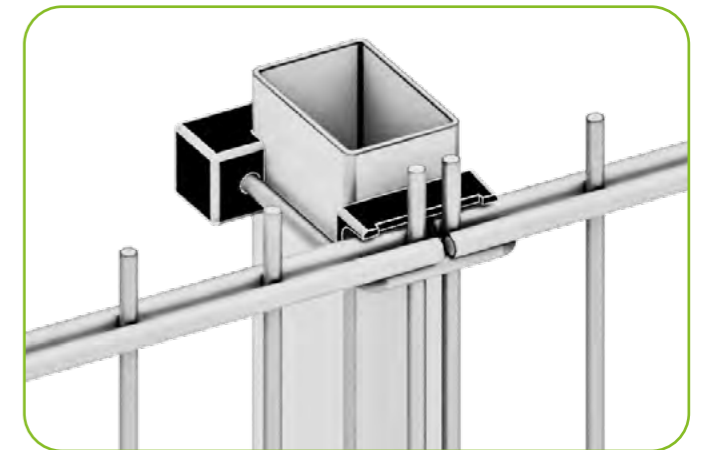
Assembly: Assembling of the fence.

Dubbelstaafmat met U-beugel

- 11** Stick the metal bracket through the fence and around the post. Now place the plastic block against the other side of the post and over the bracket pins. Tighten the nuts on the bracket, but do not fully tighten yet. This happens at the end when all fences are mounted.

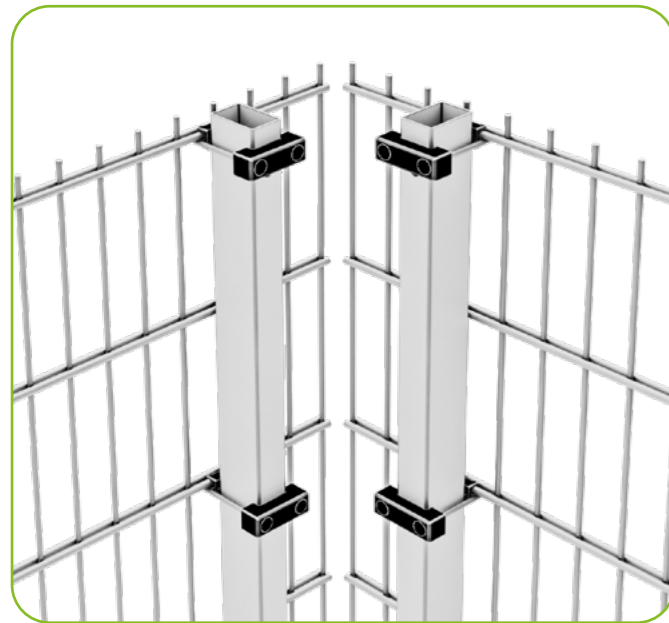
- 12** Then mount the rest of the brackets to the post. Install the bottom bracket above the lower twin bar, so on the fence.

- 13** Repeat for all gates.



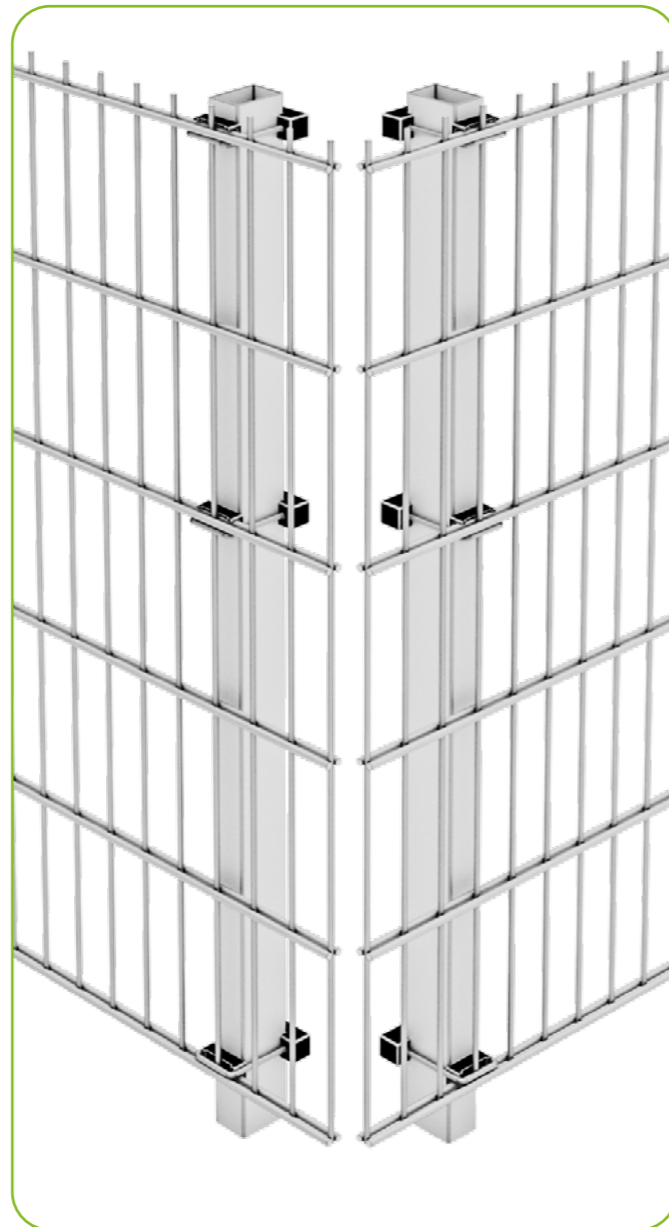
Assembly: Assemble a corner in the fence.

Dubbelstaafmat met U-beugel



- 14** The u bracket fence does not have a cornerpost or bracket, so the same brackets are used in the corner as in a straight fence.

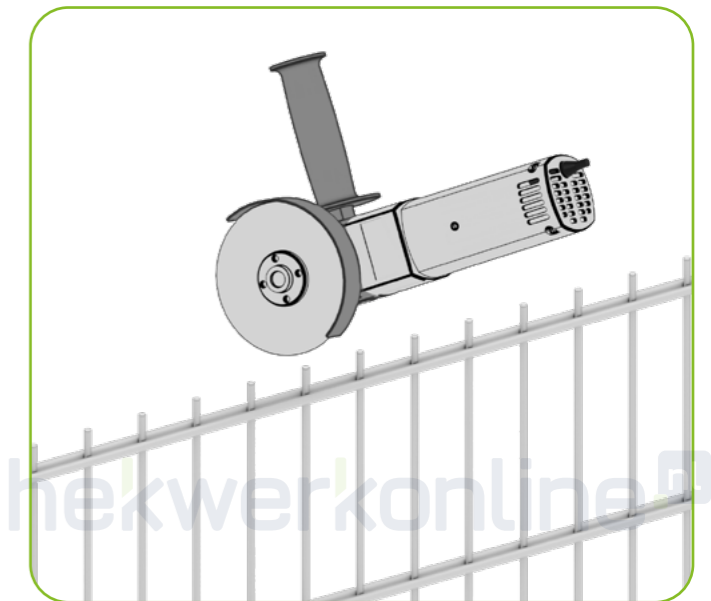
When placing the posts, keep a distance of about 20 cm to the corner (4 meshes). Keep in mind that the bolt should face to the inside of the fence and the nuts to the outside. The posts can be on the inside, or on the outside of the fence. Remember this when you dig the holes for the posts.



Assembly: Shortening a fence panel.

Dubbelstaafmat met U-beugel

- 15** If you want to place rework panel that needs to be shortened, you can shorten it with a angle grinder. Use the spray can to paint over the grinded part of the fence to prevent rust.



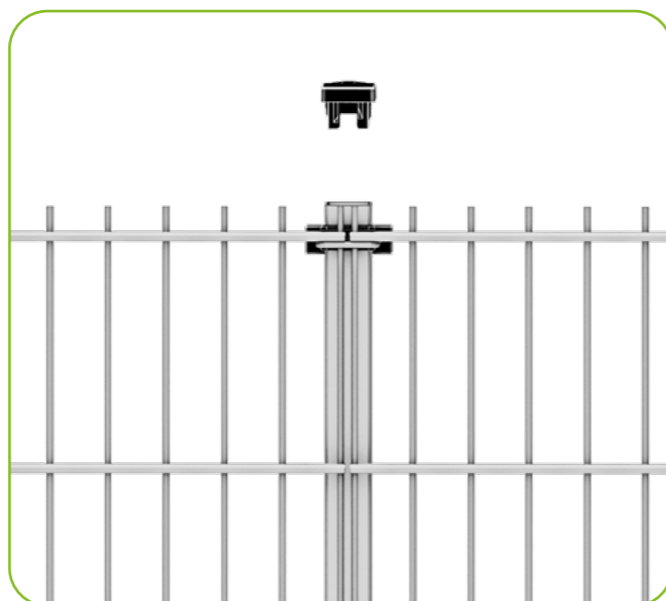
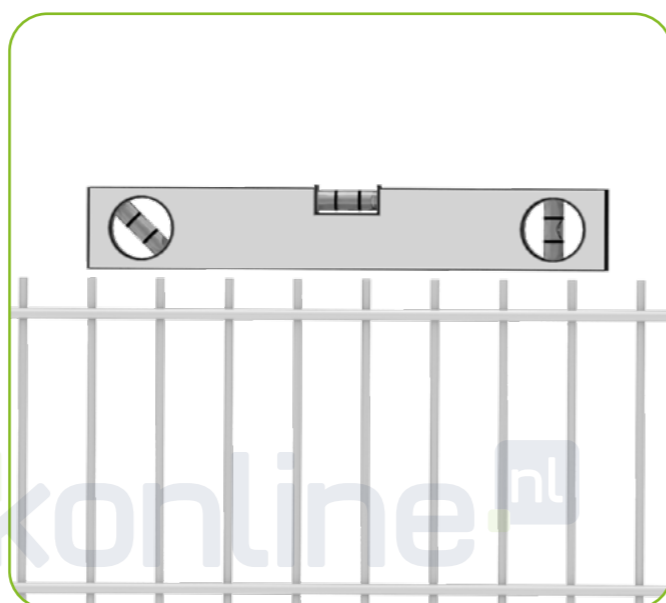
Assembly: Leveling the fencepanels.

Dubbelstaafmat met U-beugel

- 16** Start again at the first gate. Keep the fence at the correct height and check with a spirit level that it's level.



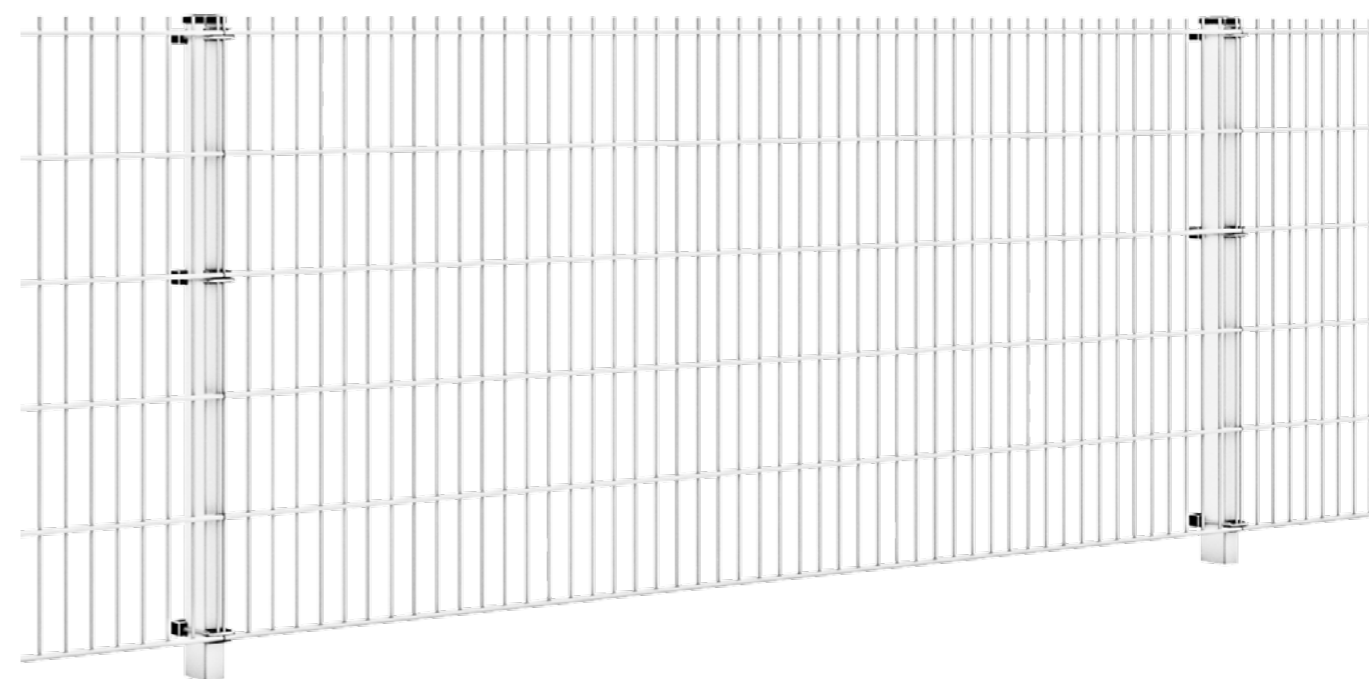
- 17** Then tighten the nuts tightly with a socket wrench.



Congratulations, your fence is up!

Dubbelstaafmat met U-beugel

- 17** Do not forget to take pictures of your fence and send them to:
customerservice@fenceonline.co.uk
Or post them with #fenceonline!



Did you find this manual useful?
We would love to hear your feedback!



Send your reactions to:
customerservice@fenceonline.co.uk