

**Manual Double Premium
gate 4000 mm
and 5000 mm wide.**



fenceonline.co.uk

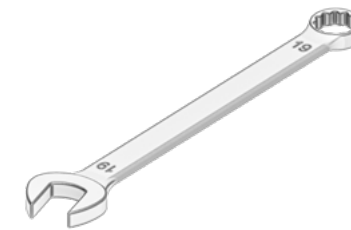
Personal protective equipment.

Double Premium gate 4000 mm and 5000 mm



Tools needed to install the gate.

Double Premium gate 4000 mm and 5000 mm



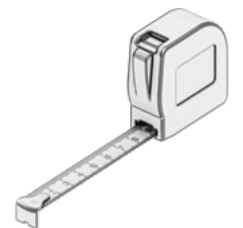
Wrench 19mm



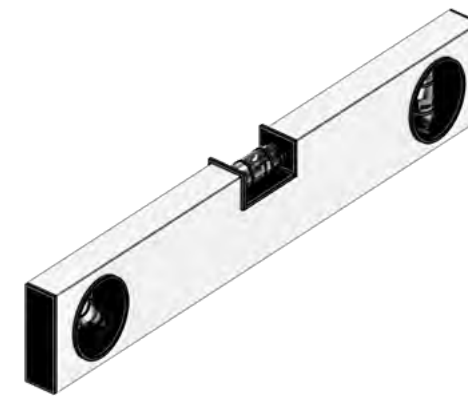
screwdriver
Phillips head PH2



Allen key
5 and 2,5 mm



Tape
measure



Level



Shovel / auger

Check your order.

Double Premium gate 4000 mm and 5000 mm

The fencing, the posts, the gate and concrete are delivered on a pallet, possibly on several for large orders. Small orders are placed upright and tied to a wooden trestle and finally sealed. Large orders transported on big pallets are usually not sealed in foil.



Check the goods upon delivery and note any damage on the consignment note before signing. **(after signing the right of complaint expires).**



Keep the order in a safe and covered place until assembly to keep it in good condition.



Carefully remove the products from the pallet.

Double Premium gate 4000 mm and 5000 mm

Carefully cut open the foil with a boxcutter without damaging the products (Best on the short side of the pallet).

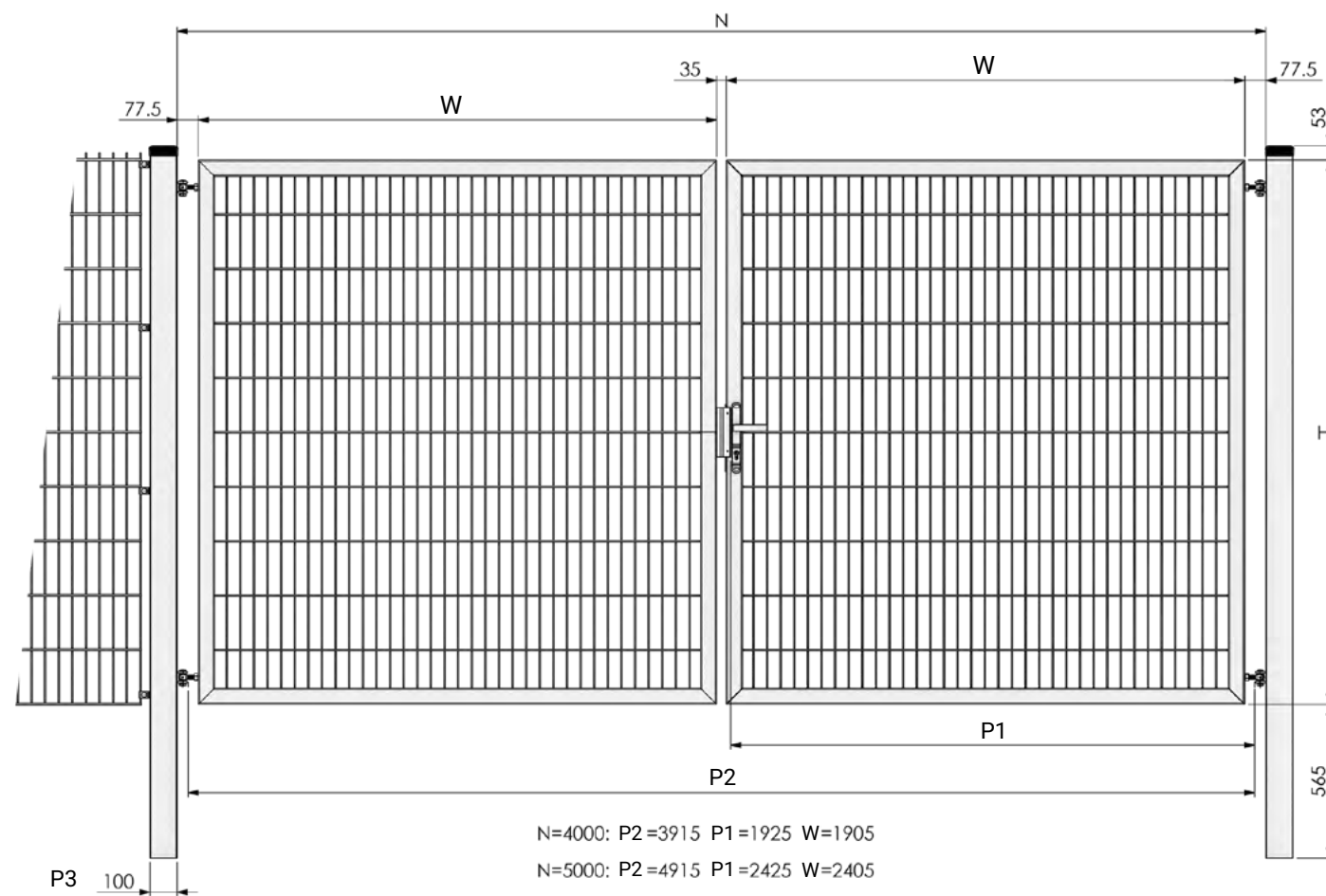
Then cut the green straps and pull them off the pallet. Carefully remove the products from the pallet.



Do you have posts or cover strips with your order? Make sure to lift them up properly when you remove them from the pallet, this way you prevent scratches.

Dimensions of the double Premium gate 4000 and 5000 mm.

Double Premium gate 4000 mm and 5000 mm



Approximate sizes

N= Size between posts (Nominal)

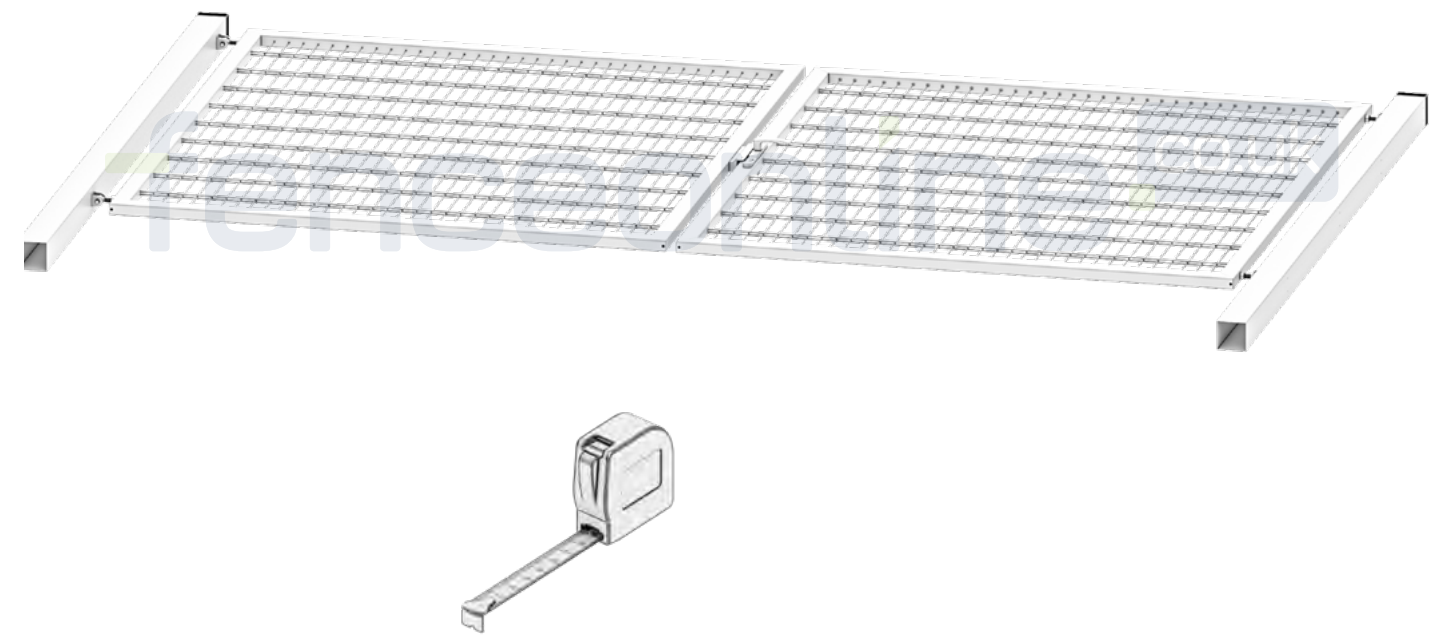
W= Wing width

P1 / P2= Actual Passage between keep and hinge (Nominal)

P3= Postwidth

Preparation: Measuring is knowing.

Double Premium gate 4000 mm and 5000 mm

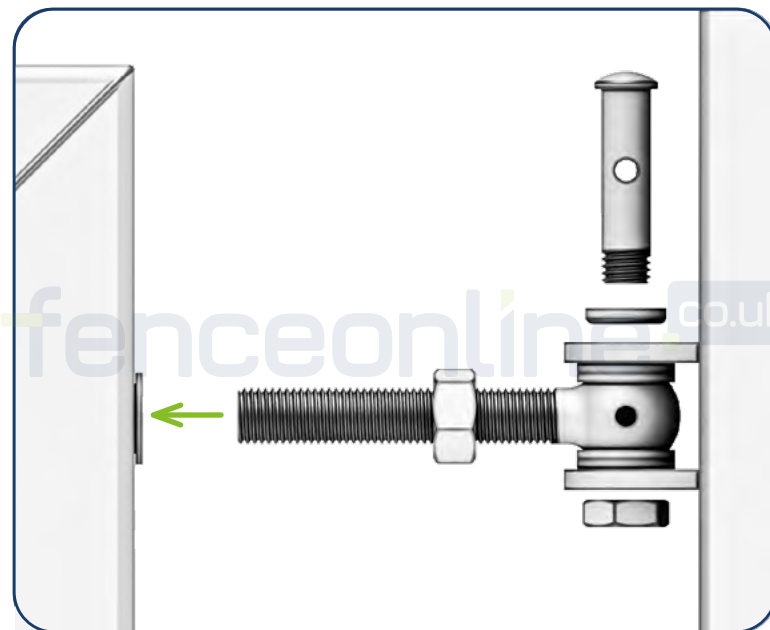


Lay out the gate parts on a soft surface and measure them.

Determine the direction of rotation and position of the gate before placing the posts.

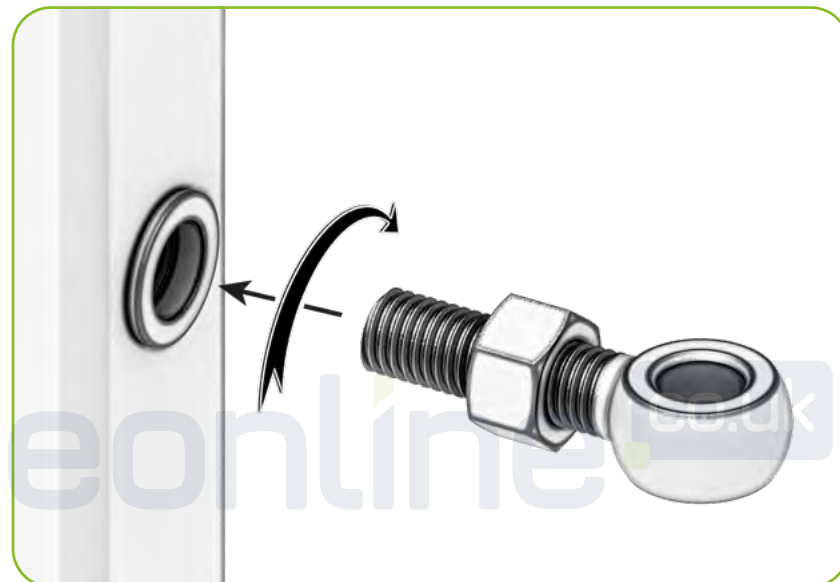
Preparation: Measuring is knowing.

Double Premium gate 4000 mm and 5000 mm



Pre-adjust the hinges to ease assembly later. Tighten the nut on the eyebolt and then tighten the eyebolt into the gate wing. Do not tighten the nut against the gate leaf yet. Turn the eyebolt in the same number of turns on both hinges.

If you have less or more space between the posts and gating than you had in mind, you can tighten or loosen the eyebolt to adjust the position of the gating.



Assembly: The lock keep.

Double Premium gate 4000 mm and 5000 mm



Fit the keep to the wing.
First tighten the keep box with the Allen screws and on top of that the striker plate with the Phillips screws.

Make sure that you mount the striker correctly in relation to the direction of rotation of the gate.

Assembly: The drop bolt.

Double Premium gate 4000 mm and 5000 mm

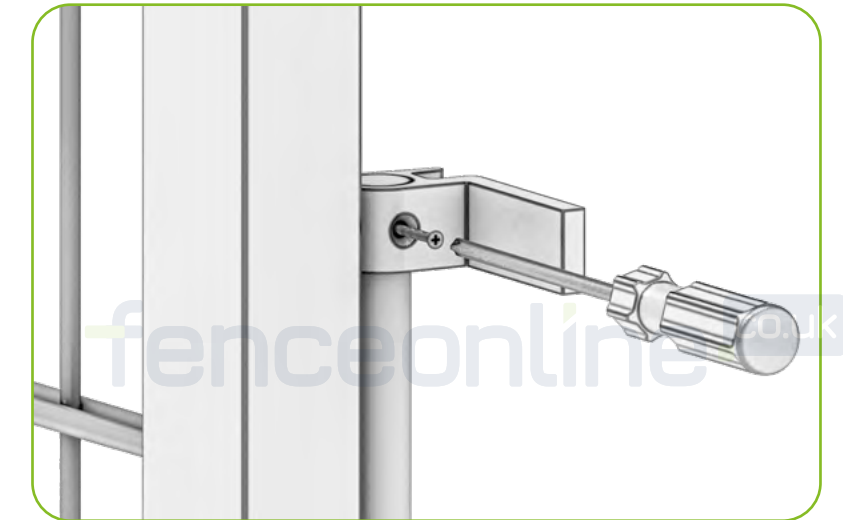
Determine which side of the gate you want to place the ground bolt on. Lay the ground bolt parts out and check if no parts are missing. Place the holder in place of the holes and place the expansion nuts in the holes. Tighten it with an Allen key so that the expansion nuts expand. Insert the large pin into the holder and insert the small pin into one of the desired holes.



Assembly: The drop bolt.

Double Premium gate 4000 mm and 5000 mm

Slide the handle onto the pin and secure it with the screw provided. To ensure that the bolt is firmly in the ground, drill or poke a hole larger than 2 cm in the ground and make sure the latch is deep enough.



Assembly: The first post.

Double Premium gate 4000 mm and 5000 mm

Place the first post plumb with a spirit level in the correct position and height and secure with concrete. Follow the instructions on the packaging. Let the concrete harden before applying to assemble the gate wing!



Place for security first one post and mount the first wing to it. Then measure where exactly the second post should be to stand.

Please note that the gate can be adjusted in width after installation by means of the eye bolt, but not in height. So make sure that the posts are the same height and level.



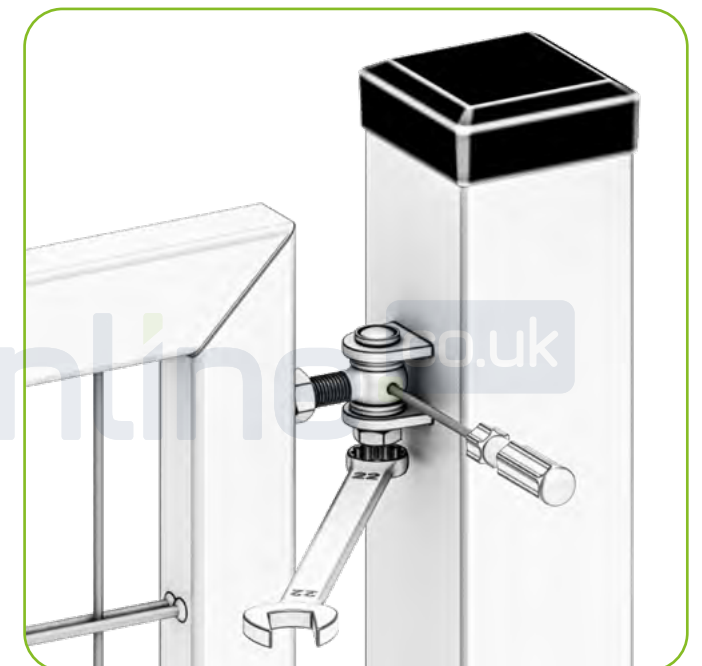
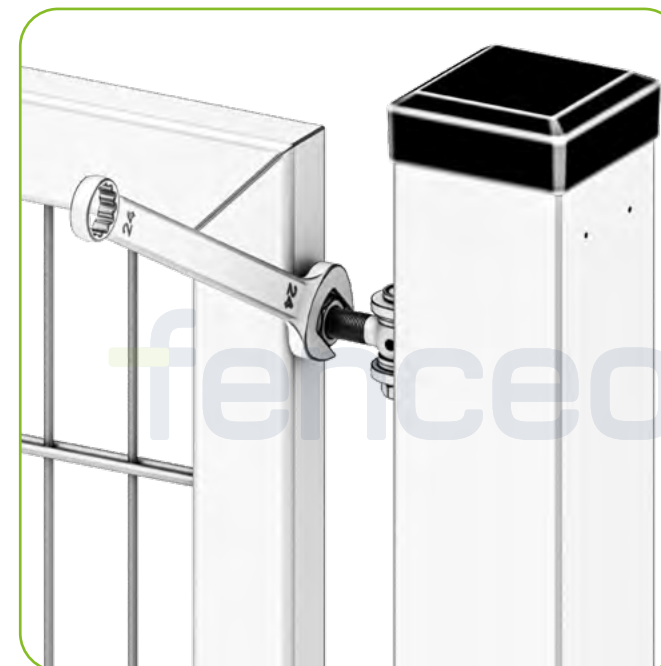
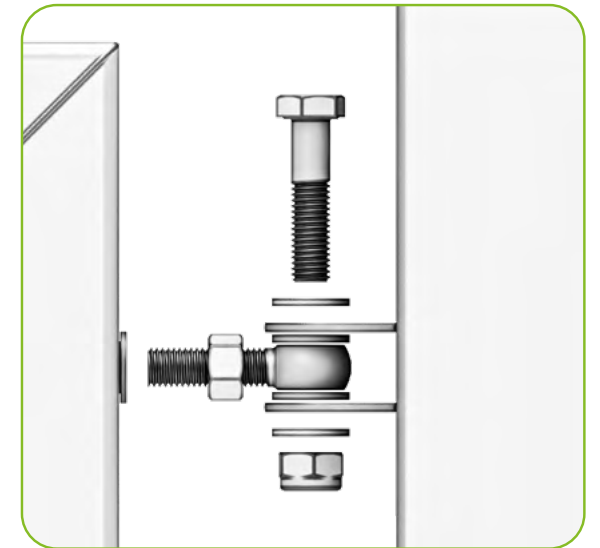
This step also determines how the gate opens and closes. Make sure you place the posts correctly. The hinge plates on the post point inwards.

Assembly: The first gate leaf.

Double Premium gate 4000 mm and 5000 mm

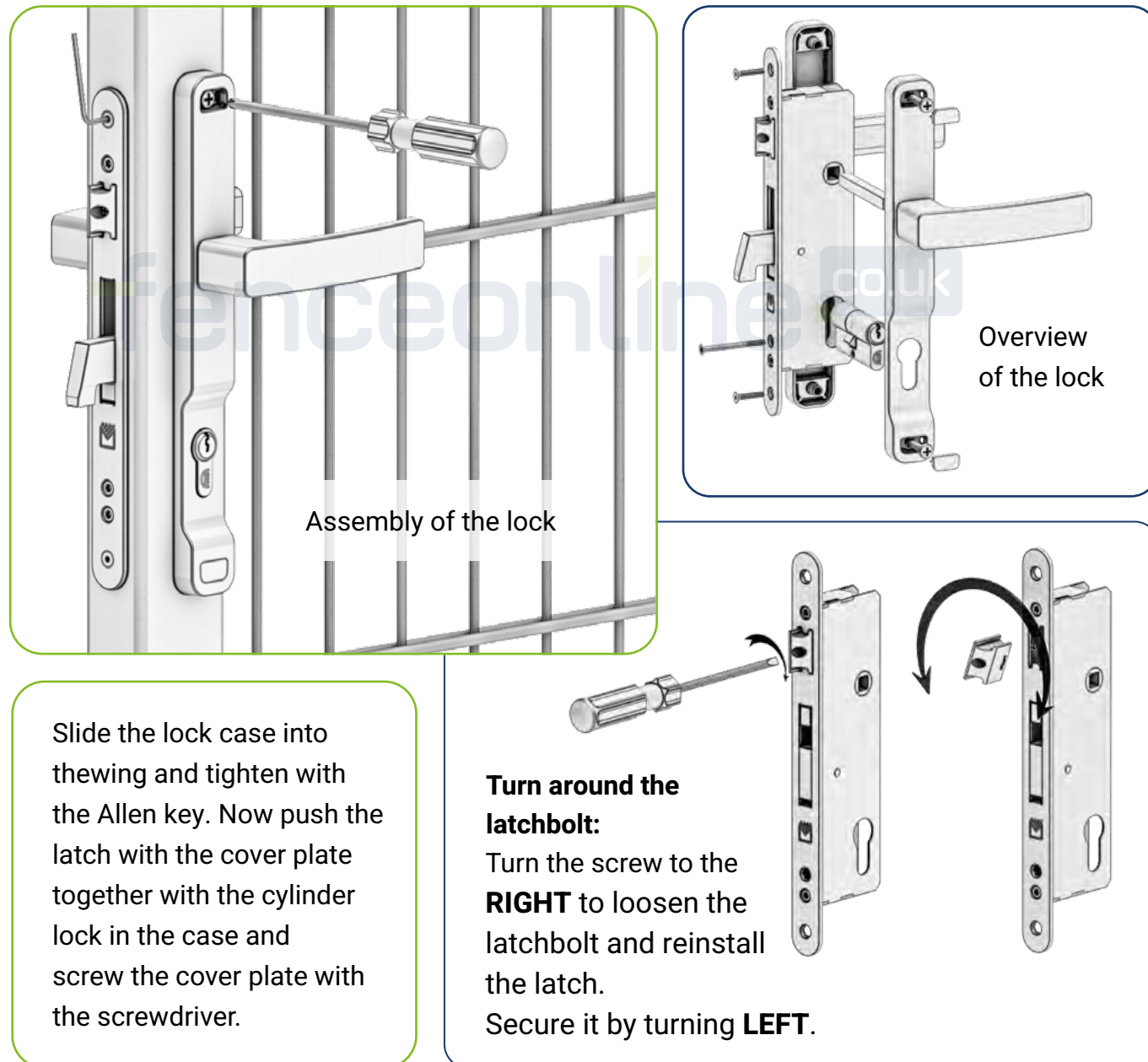
Hold the gate leaf in position and tighten the nut around the eye bolt securely. (Adjust the nuts if necessary. Do this for both hinges)

Install the hinge pin. Block the pin with, for example, a screwdriver or an Allen key. The nut can be tightened so well without the hinge pin rotating.



Assembly: The lock.

Double Premium gate 4000 mm and 5000 mm



Assembly: The second post.

Double Premium gate 4000 mm and 5000 mm

Now place the second post in the hole you drilled or dug. Measure the exact position of the second post by means of the second wing. Secure the post with concrete and level the post. Again, make sure the concrete has hardened before mounting the leaf.



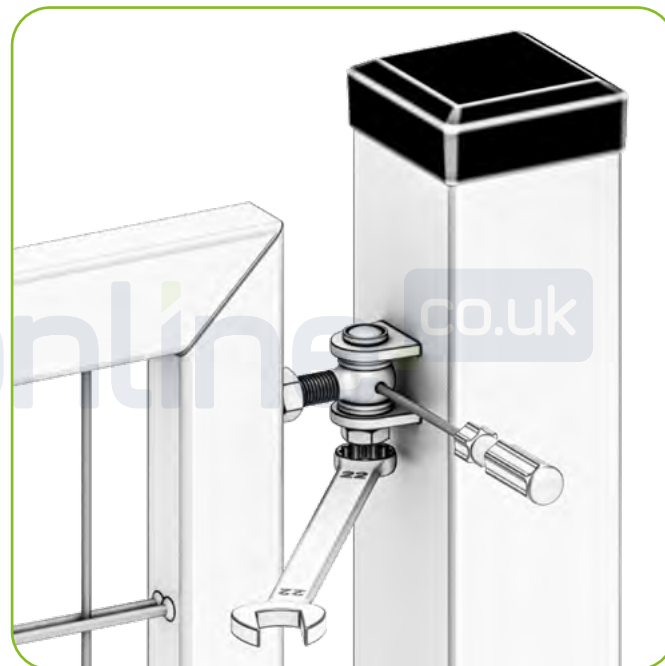
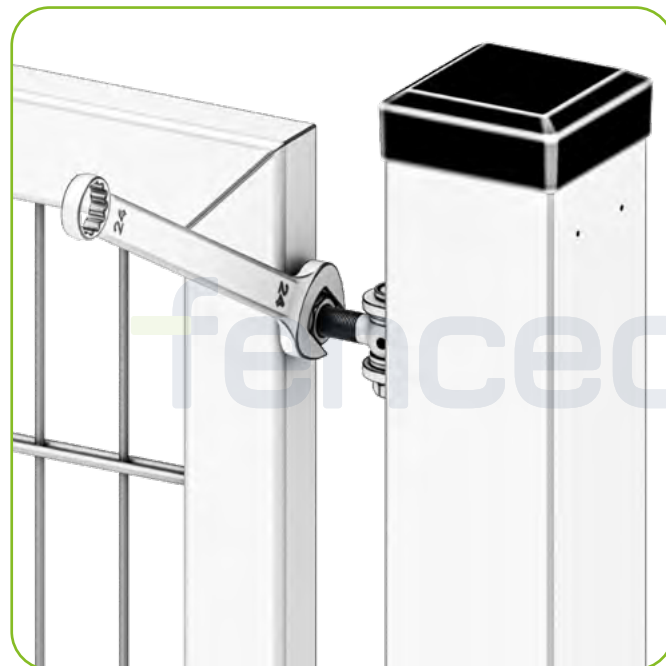
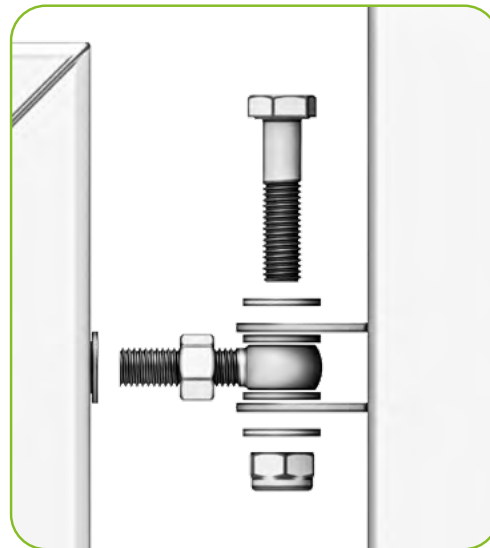
Assembly: The second leaf.

Double Premium gate 4000 mm and 5000 mm

Now mount the second leaf to the corresponding post. If necessary, you can tighten the nuts to make the eyebolts fit.

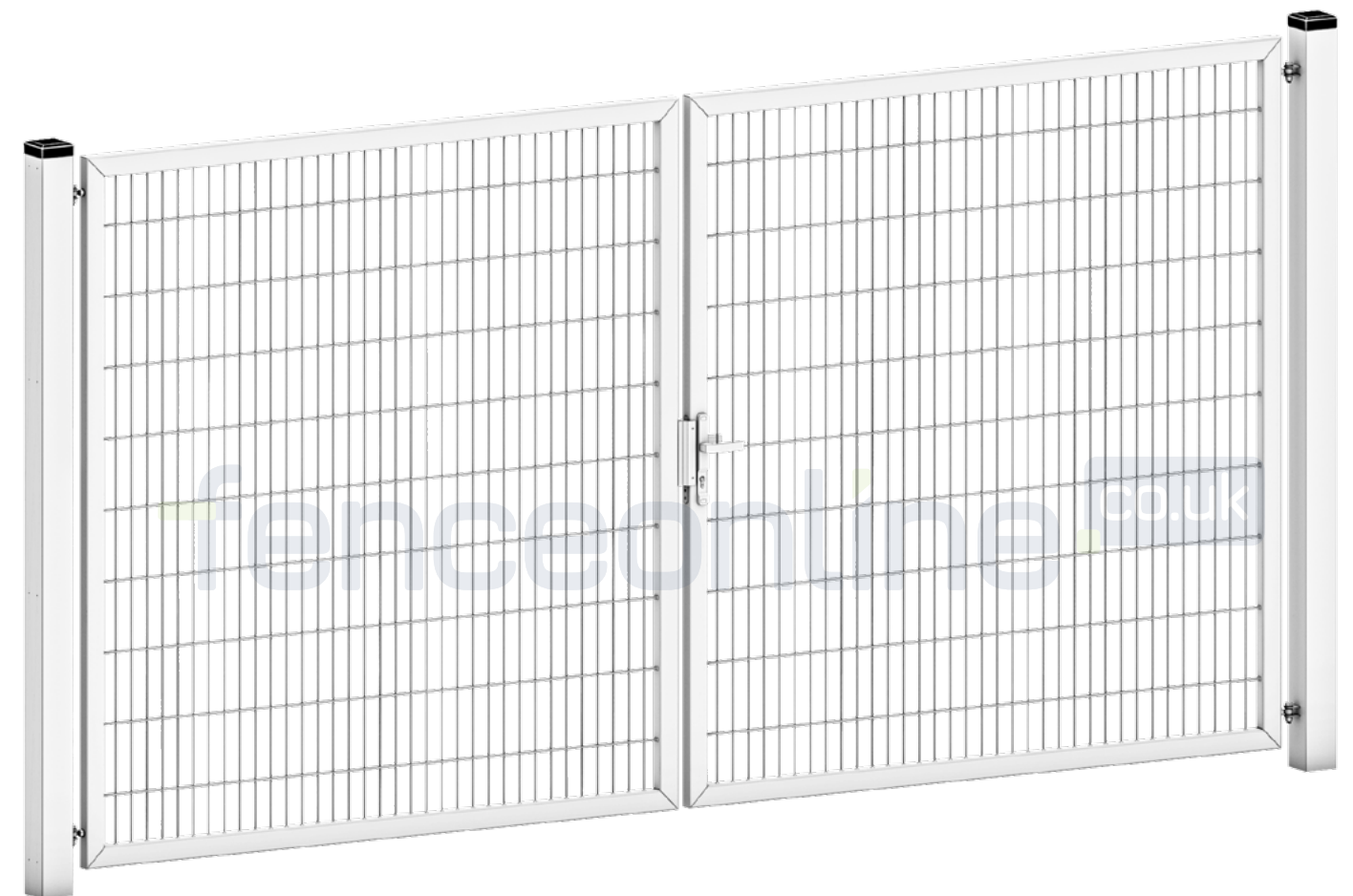
(Repetition of first leaf)

Install the hinge pin. Block the pin with, for example, a screwdriver or an Allen key. Like this the nut can be tightened without the hinge pin rotating.



Congratulations, your gate is installed!

Double Premium gate 4000 mm and 5000 mm



Did you find this manual useful?
We would love to hear your feedback!



Send your reactions to:
customerservice@fenceonline.co.uk

**You made a good choice,
these people also bought
this gate!**

Double Premium gate 4000 mm and 5000 mm

