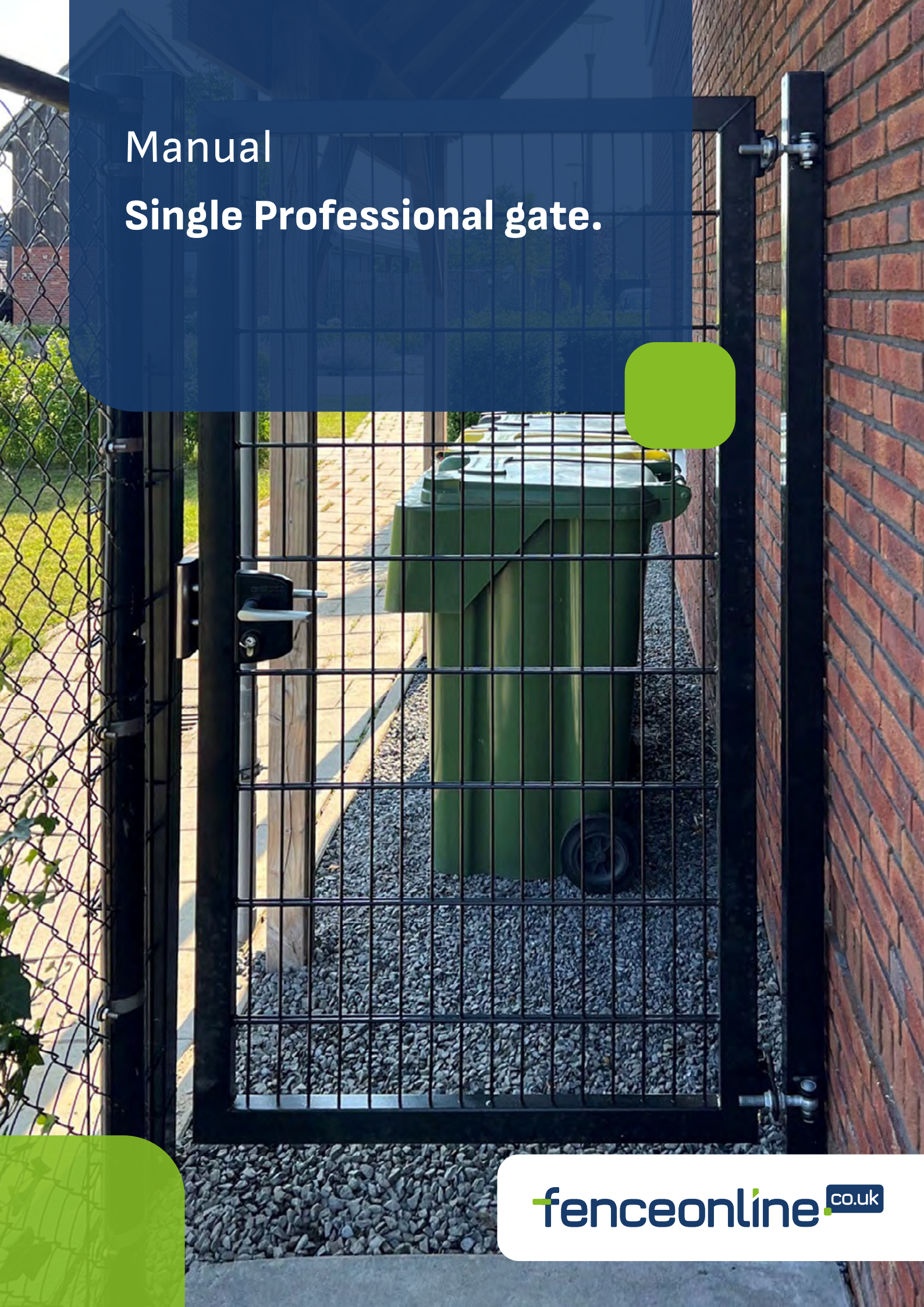


Manual
Single Professional gate.



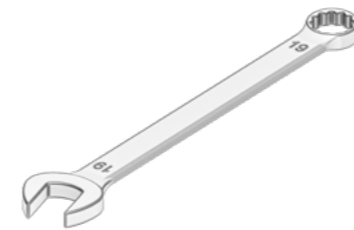
Personal protective equipment.

Single Professional gate



Tools needed to install the gate.

Single Professional gate



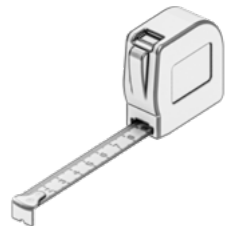
Wrench 19mm



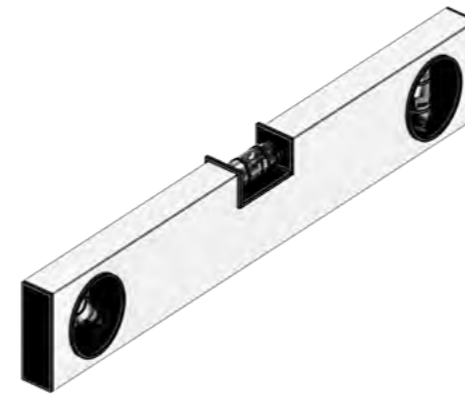
screwdriver
Phillips head PH2



Allen key
5 and 2,5 mm



Tape
measure



Level



Shovel / auger

Check your order.

Single Professional gate

The fencing, the posts, the gate and concrete are delivered on a pallet, possibly on several for large orders. Small orders are placed upright and tied to a wooden trestle and finally sealed. Large orders transported on big pallets are usually not sealed in foil.



Check the goods upon delivery and note any damage on the consignment note before signing. **(after signing the right of complaint expires).**



Keep the order in a safe and covered place until assembly to keep it in good condition.



Carefully remove the products from the pallet.

Single Professional gate

Carefully cut open the foil with a boxcutter without damaging the products (Best on the short side of the pallet).

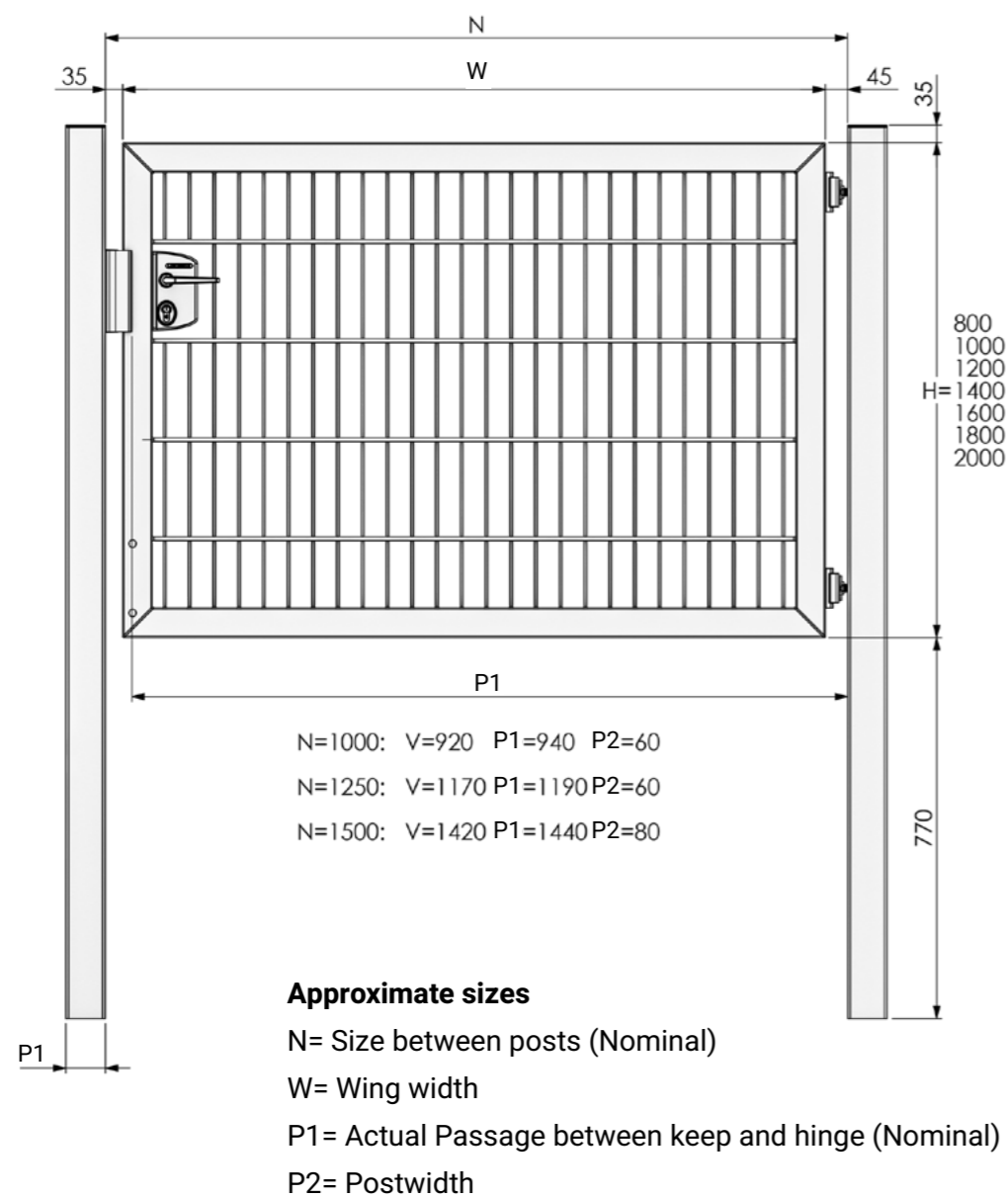
Then cut the green straps and pull them off the pallet. Carefully remove the products from the pallet.



Do you have posts or cover strips with your order? Make sure to lift them up properly when you remove them from the pallet, this way you prevent scratches.

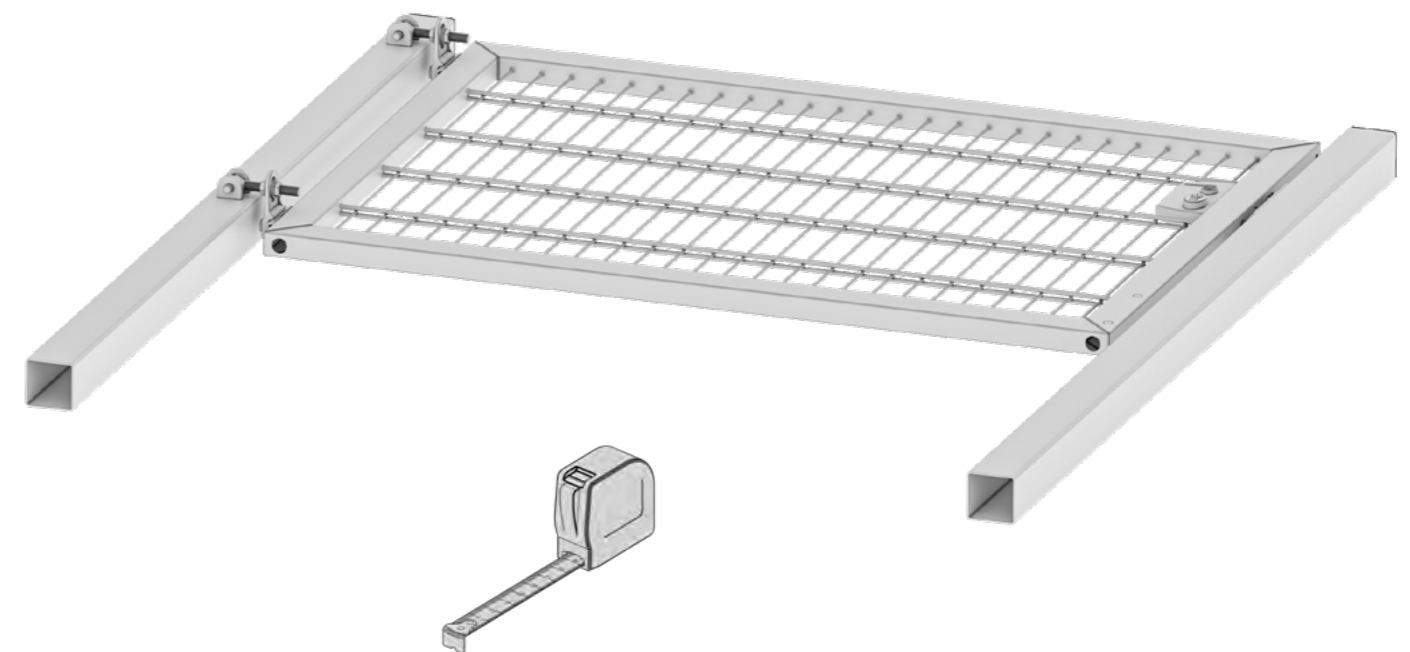
Dimensions of the single Professional gate.

Single Professional gate



Preparation: Measuring is knowing.

Single Professional gate

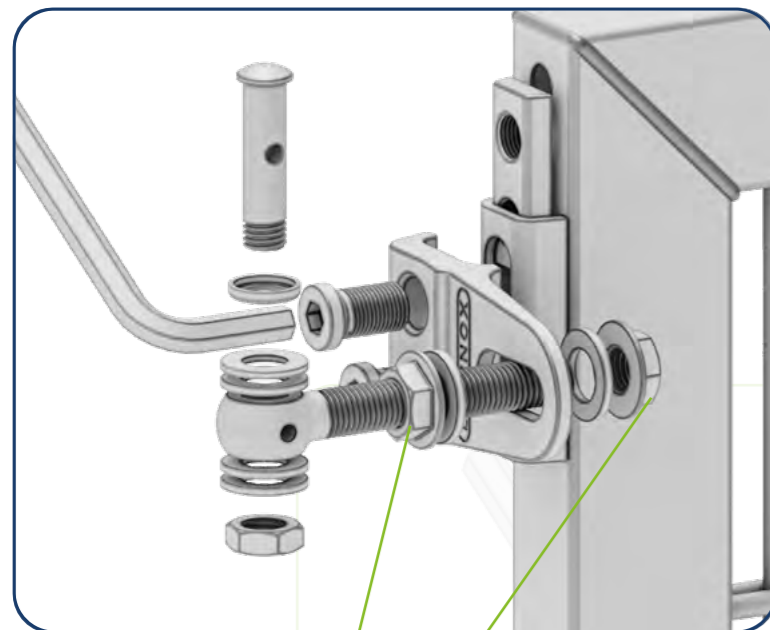


Lay out the gate parts on a soft surface and measure them.

Determine the **direction of rotation** and position of the gate before placing the posts.

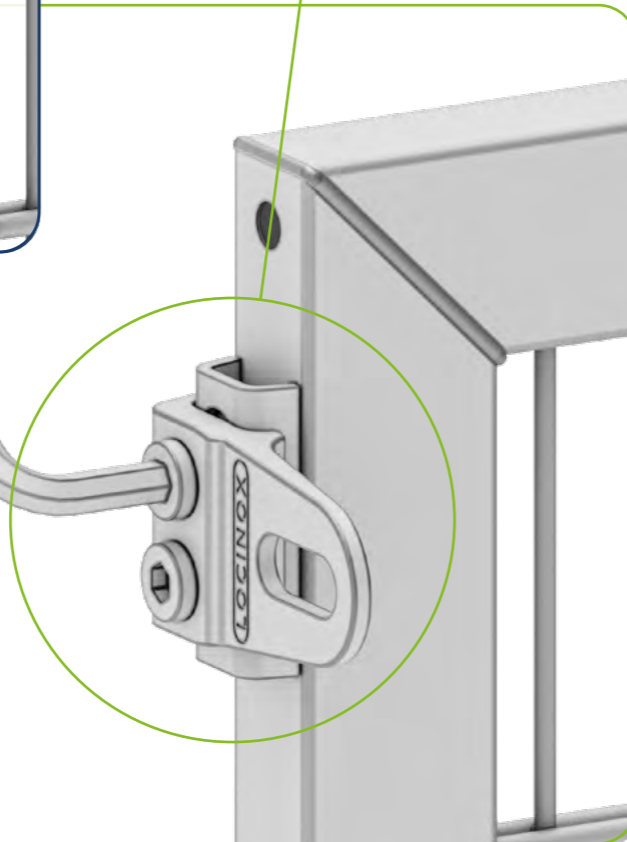
Preparation: Measuring is knowing.

Single Professional gate



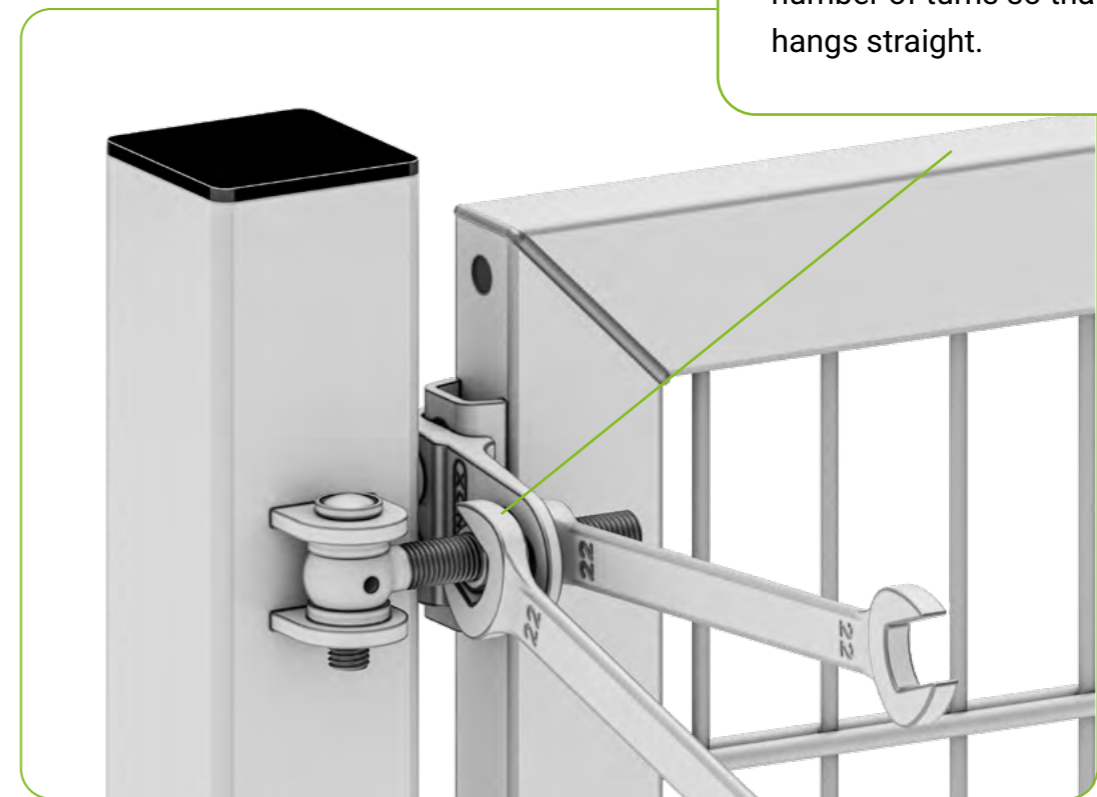
Pre-adjust the hinges to ease assembly later.
Secure the hinge plate, with the long side on the side the gate swings towards.

If you have too little or too much space between the posts than you had in mind, you can adjust the position of the eye bolt in the hinge plate by adjusting the position of the nuts on the eye bolt.



Preparation: Measuring is knowing.

Single Professional gate



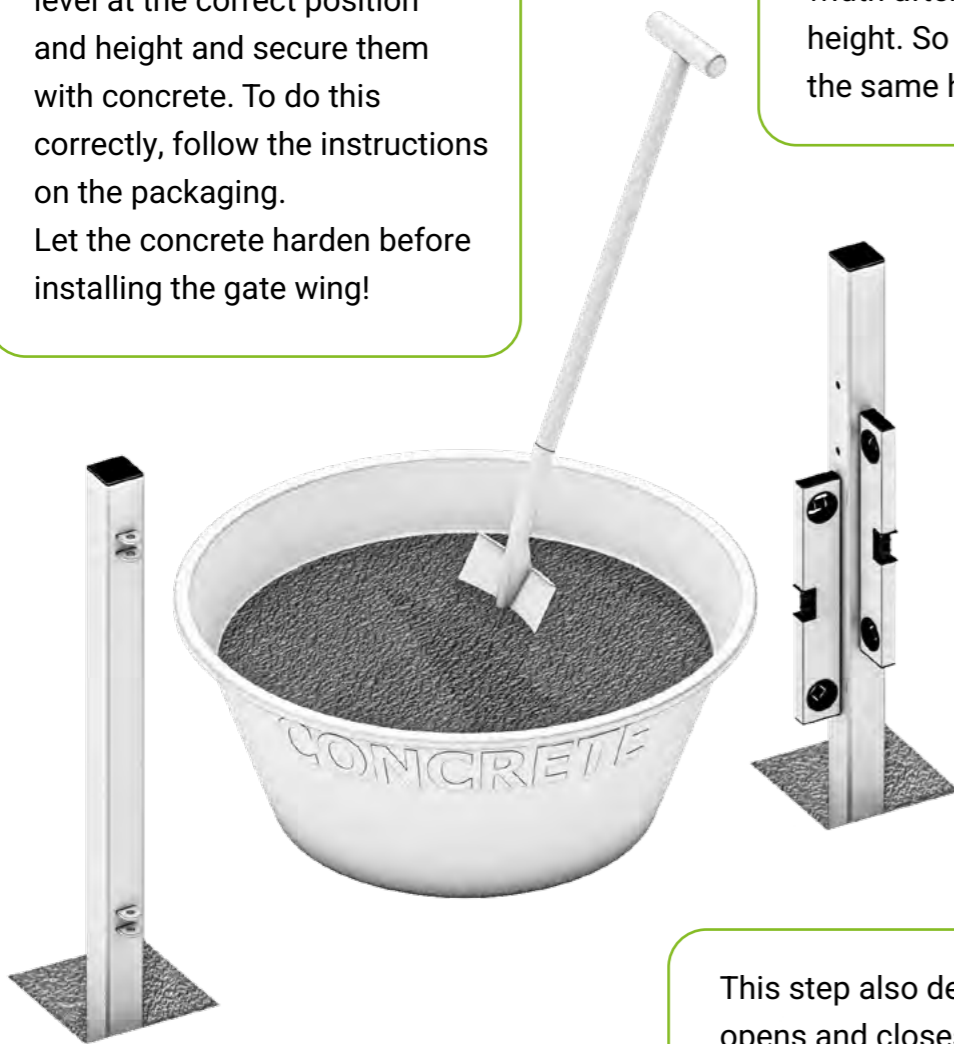
Tighten the nut on the eye bolt and then slide the eye bolt into the hinge plate. Tighten the second nut, but do not tighten it completely against the hinge plate. Turn the nut on both hinges the eye bolt in the same number of turns so that the gate hangs straight.

Assembly: Secure the posts.

Single Professional gate

Level the posts with a spirit level at the correct position and height and secure them with concrete. To do this correctly, follow the instructions on the packaging. Let the concrete harden before installing the gate wing!

Note: The gate can be adjusted in width after installation, but not in height. So make sure the posts are the same height and level.



This step also determines how the gate opens and closes. Make sure you place the posts correctly.

Assembly: The lock keep.

Single Professional gate

Overview of the lock keep.



Mount the lock keep. Tighten the expansion nut far enough.

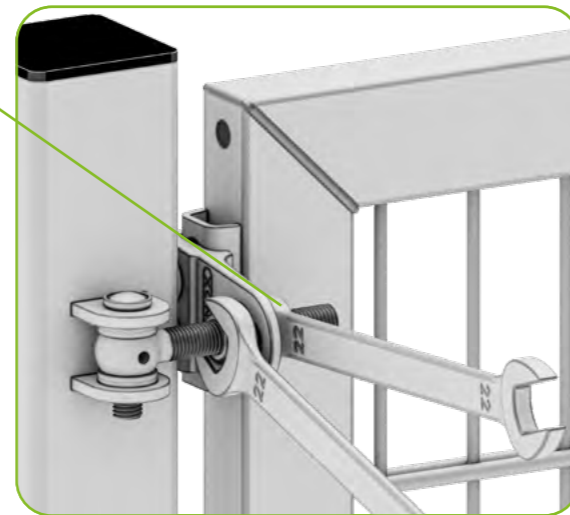


Make sure that you mount the keep correctly in relation to the direction of rotation of the gate.

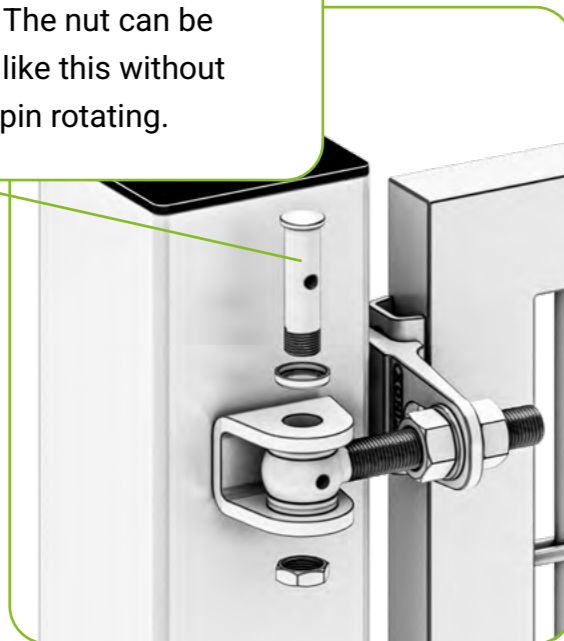
Assembly: Hang the gate leaf in position.

Single Professional gate

Hold the gate leaf in position and tighten the nut around the eye bolt securely. (Adjust the nuts if necessary. Do this for both hinges)

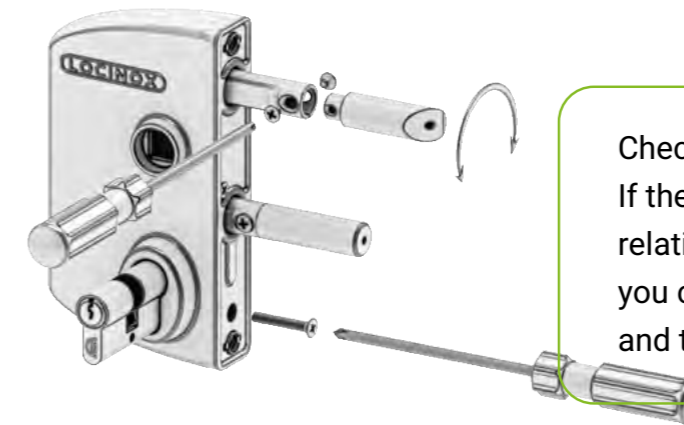


Install the hinge pin. Block the pin with, for example, the tip of the Phillips screwdriver or an Allen key. The nut can be tightened like this without the hinge pin rotating.



Assembly: Installing the lock.

Single Professional gate



Check if the latchbolt is positioned correctly. If the latchbolt is the wrong way around in relation to how you open and close the gate, you can turn it around by loosening the screws and then turning the latchbolt 180°.

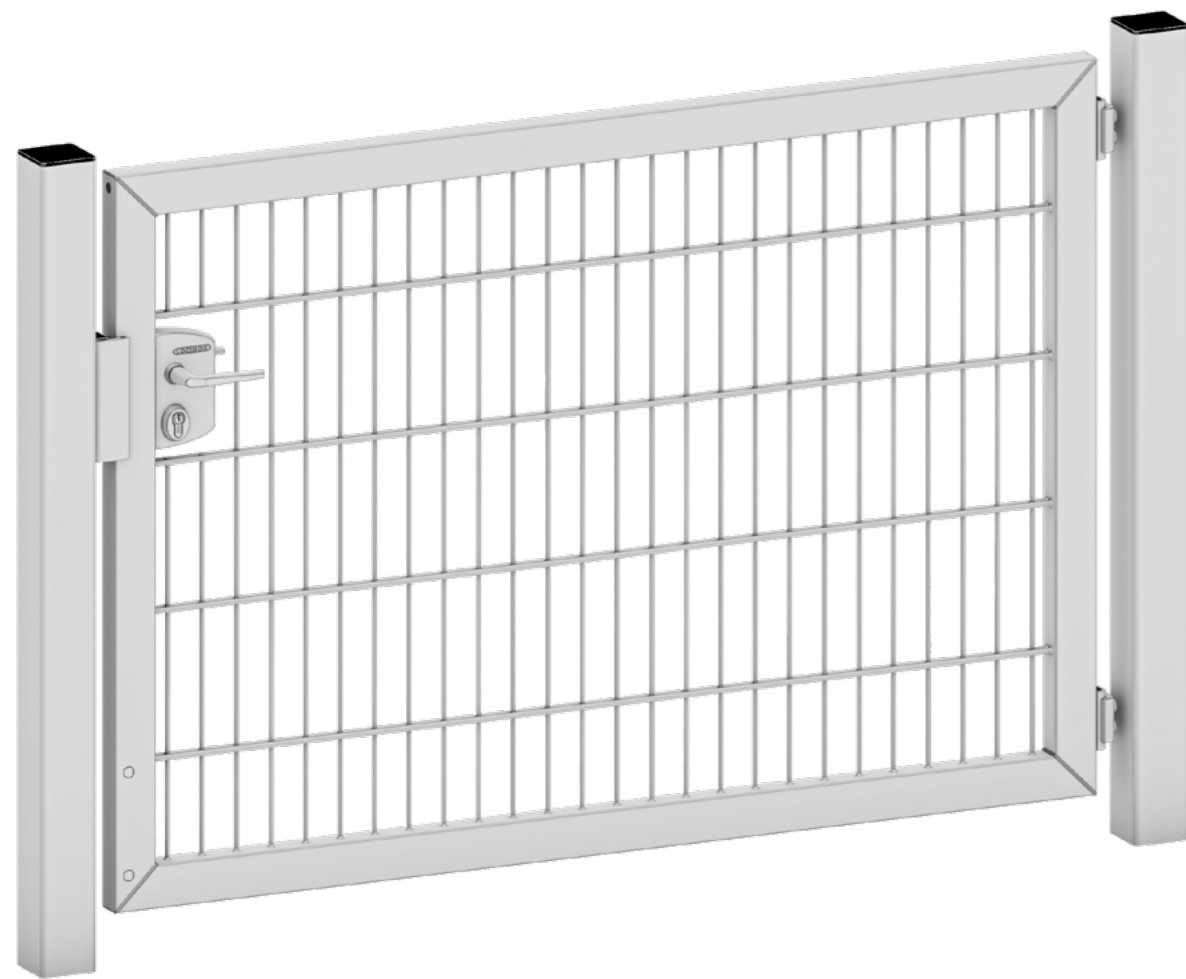


Around the bolts that hold the lock come spacers. As a result, the head of the bolt does not sink so deeply into the frame. This makes mounting easier

The bolt can be screwed in a bit by hand using temporarily the black cover cap over the head of the bolt. The bolt can then be tightened with the Allen key. To close it off, the black cap can be placed over the bolt.

**Congratulations,
your gate is installed!**

Single Professional gate



Did you find this manual useful?
We would love to hear your feedback!



Send your reactions to:
customerservice@fenceonline.co.uk

**You made a good choice,
these people also bought
this gate!**

Single Professional gate

