

Manual
Single decorative gate
Vesta.

fenceonline.co.uk

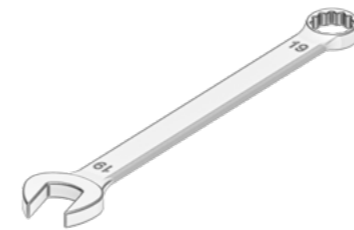
Personal protective equipment.

Single decorative gate Vesta



Tools needed to install the gate.

Single decorative gate Vesta



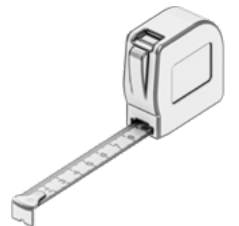
Wrench 19mm



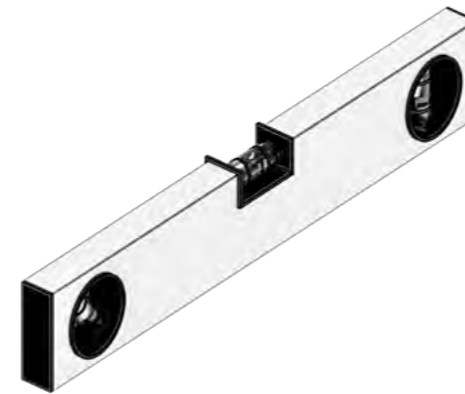
screwdriver
Phillips head PH2



Allen key
5 and 2,5 mm



Tape
measure



Level



Shovel / auger

Check your order.

Single decorative gate Vesta

The fencing, the posts, the gate and concrete are delivered on a pallet, possibly on several for large orders. Small orders are placed upright and tied to a wooden trestle and finally sealed. Large orders transported on big pallets are usually not sealed in foil.



Check the goods upon delivery and note any damage on the consignment note before signing. **(after signing the right of complaint expires).**



Keep the order in a safe and covered place until assembly to keep it in good condition.



Carefully remove the products from the pallet.

Single decorative gate Vesta

Carefully cut open the foil with a boxcutter without damaging the products (Best on the short side of the pallet).

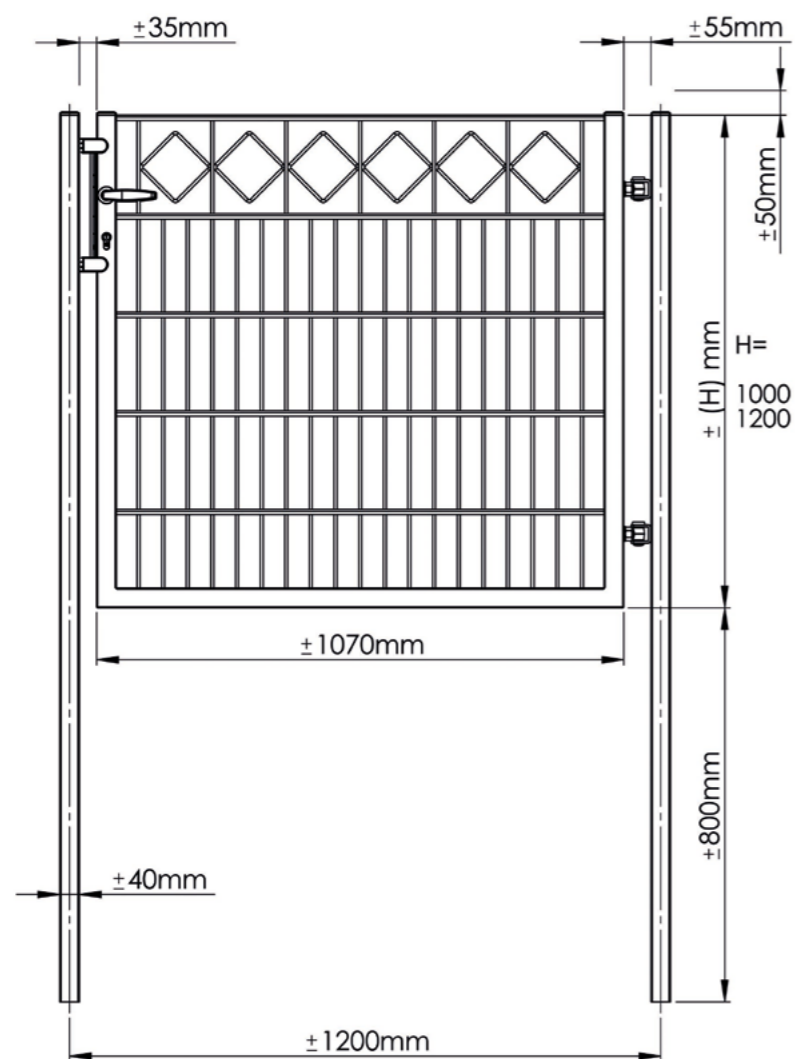
Then cut the green straps and pull them off the pallet. Carefully remove the products from the pallet.



Do you have posts or cover strips with your order? Make sure to lift them up properly when you remove them from the pallet, this way you prevent scratches.

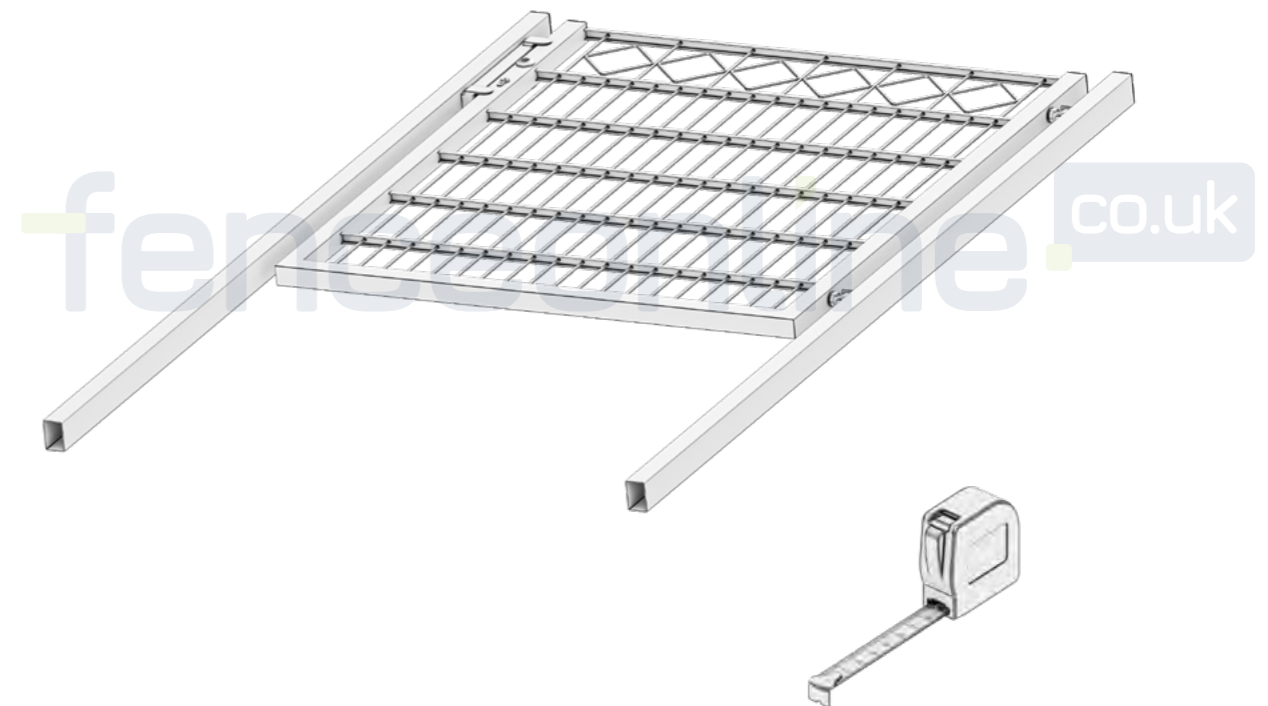
Dimensions of the Single Vesta gate.

Single decorative gate Vesta



Preparation: Measuring is knowing.

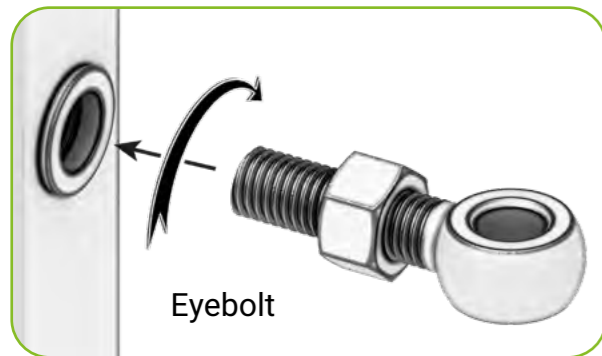
Single decorative gate Vesta



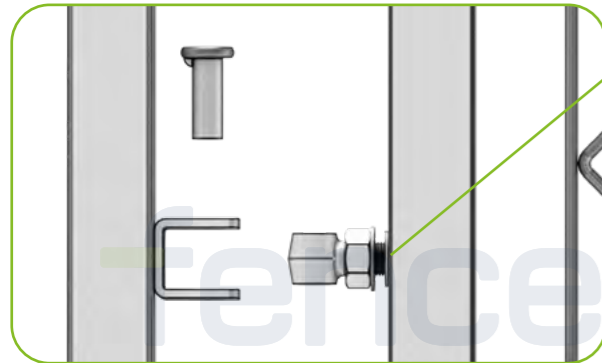
Lay out the gate parts on a soft surface and measure them. Determine the direction of rotation and position of the gate before placing the posts.

Assembly: Pre-install hinges.

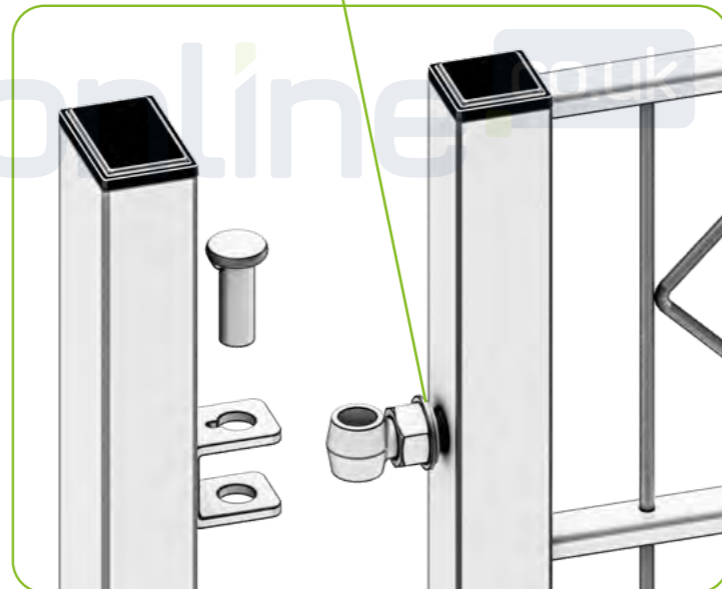
Single decorative gate Vesta



Pre-adjust the hinges to ease assembly later. Tighten the nut on the eyebolt and then tighten the eyebolt into the gate leaf. Do not tighten the nut against the gate leaf yet. Turn the eyebolt in the same number of turns on both hinges.



If you have too little or too much space between the posts than you had in mind, you can adjust the position of the eyebolt in the hinge plate by adjusting the position of the nuts on the eyebolt.



Assembly: Secure the posts.

Single decorative gate Vesta

Level the posts with a spirit level at the correct position and height and secure them with concrete. To do this correctly, follow the instructions on the packaging. Let the concrete harden before installing the gate wing!

Note: The gate can be adjusted in width after installation, but not in height. So make sure the posts are the same height and level.

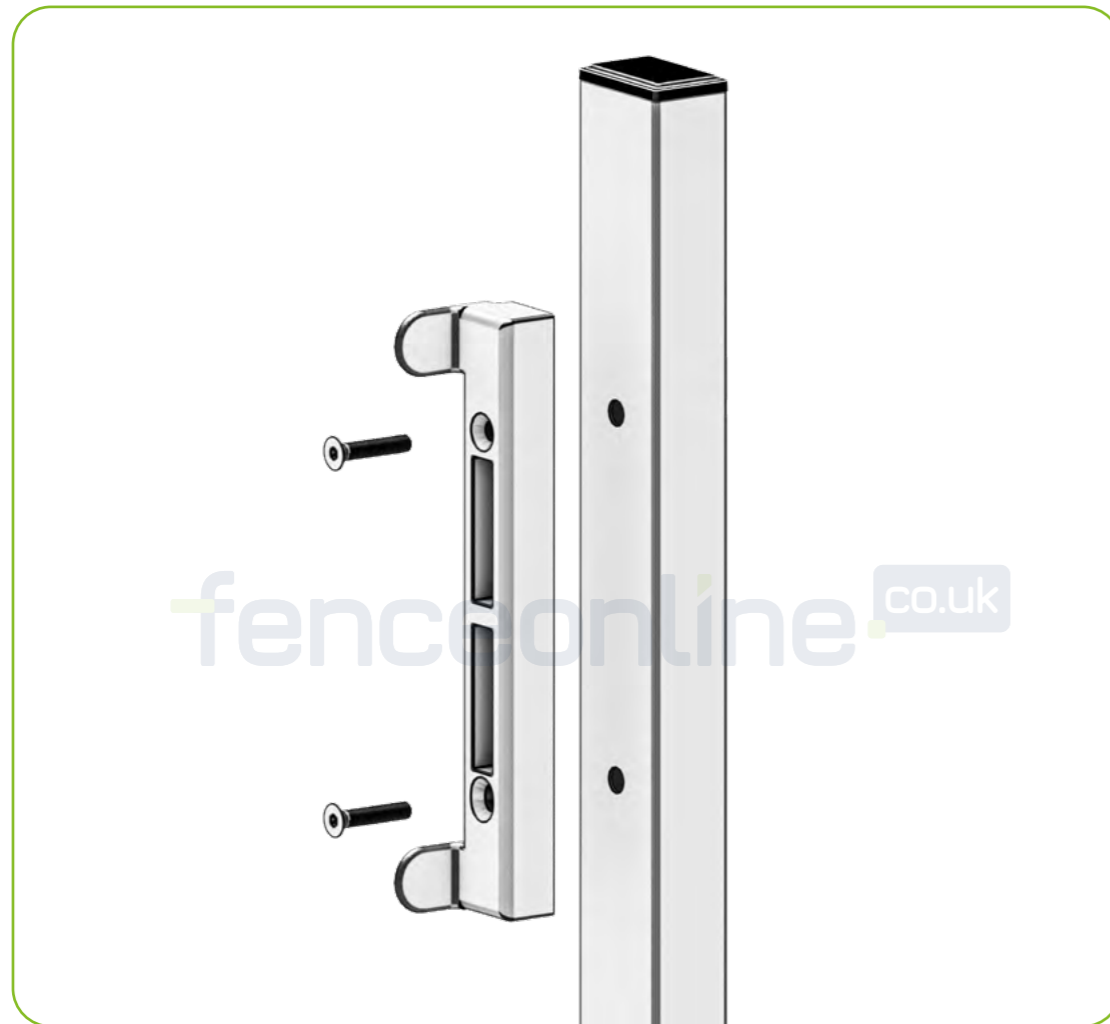


This step also determines how the gate opens and closes. Make sure you place the posts correctly.

Assembly: The lock keep.

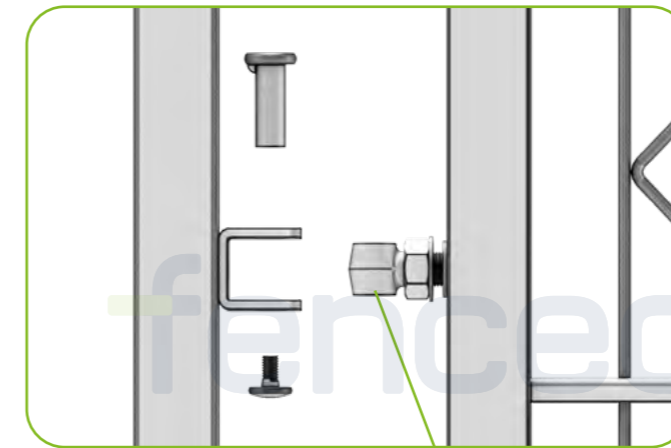
Single decorative gate Vesta

Assemble the lock keep on the post. Make sure that you mount the keep correctly in relation to the direction of rotation of the gate.

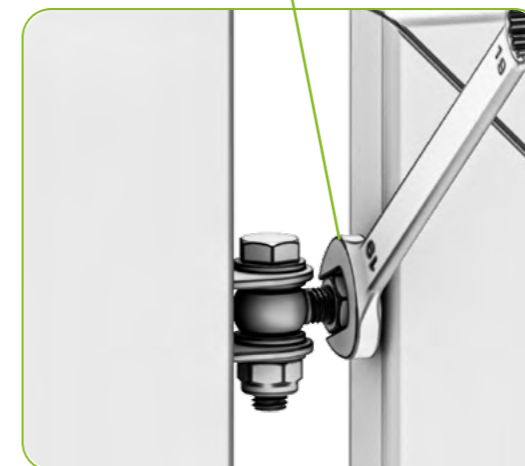


Assembly: The gate wing.

Single decorative gate Vesta



Tighten the nut on the eyebolt well so that the gate leaf is firmly attached to the eyebolt. Then hang the gate leaf in position.



Make sure that the hole of the hinge plates on the post and the hole of the eye bolt are aligned and insert the hinge bolt through them and turn the bolt until it is stuck in the recess. Finally, tighten the small bolt with an Allen key. If the gate does not fit completely, you can still adjust the eye bolt.

Assembly: The lock.

Single decorative gate Vesta



Insert the doorhandle pin through the lock and out through the other side. Slide the doorhandles on the pin on both sides and tighten them with the Allen key provided.

Congratulations, your gate is installed!

Single decorative gate Vesta



Did you find this manual useful?
We would love to hear your feedback!



Send your reactions to:
customerservice@fenceonline.co.uk

We would also love to receive photos of your brand new installed gate on the email-address mentioned above. You can also post them on social media with #fenceonline!