

Manual
Single decorative gate
Aurora.

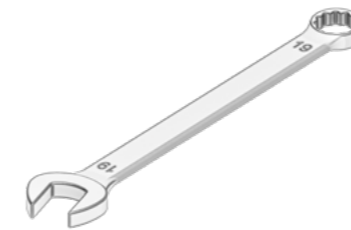
Personal protective equipment.

Single decorative gate Aurora



Tools needed to install the gate.

Single decorative gate Aurora



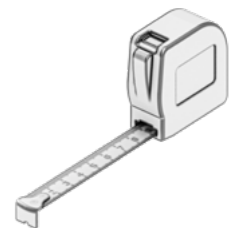
Wrench 19mm



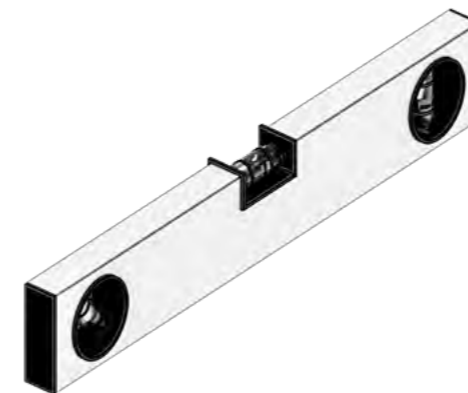
screwdriver
Phillips head PH2



Allen key
5 and 2,5 mm



Tape
measure



Level



Shovel / auger

Check your order.

Single decorative gate Aurora

The fencing, the posts, the gate and concrete are delivered on a pallet, possibly on several for large orders. Small orders are placed upright and tied to a wooden trestle and finally sealed. Large orders transported on big pallets are usually not sealed in foil.



Check the goods upon delivery and note any damage on the consignment note before signing. **(after signing the right of complaint expires).**



Keep the order in a safe and covered place until assembly to keep it in good condition.

Carefully remove the products from the pallet.

Single decorative gate Aurora

Carefully cut open the foil with a boxcutter without damaging the products (Best on the short side of the pallet).

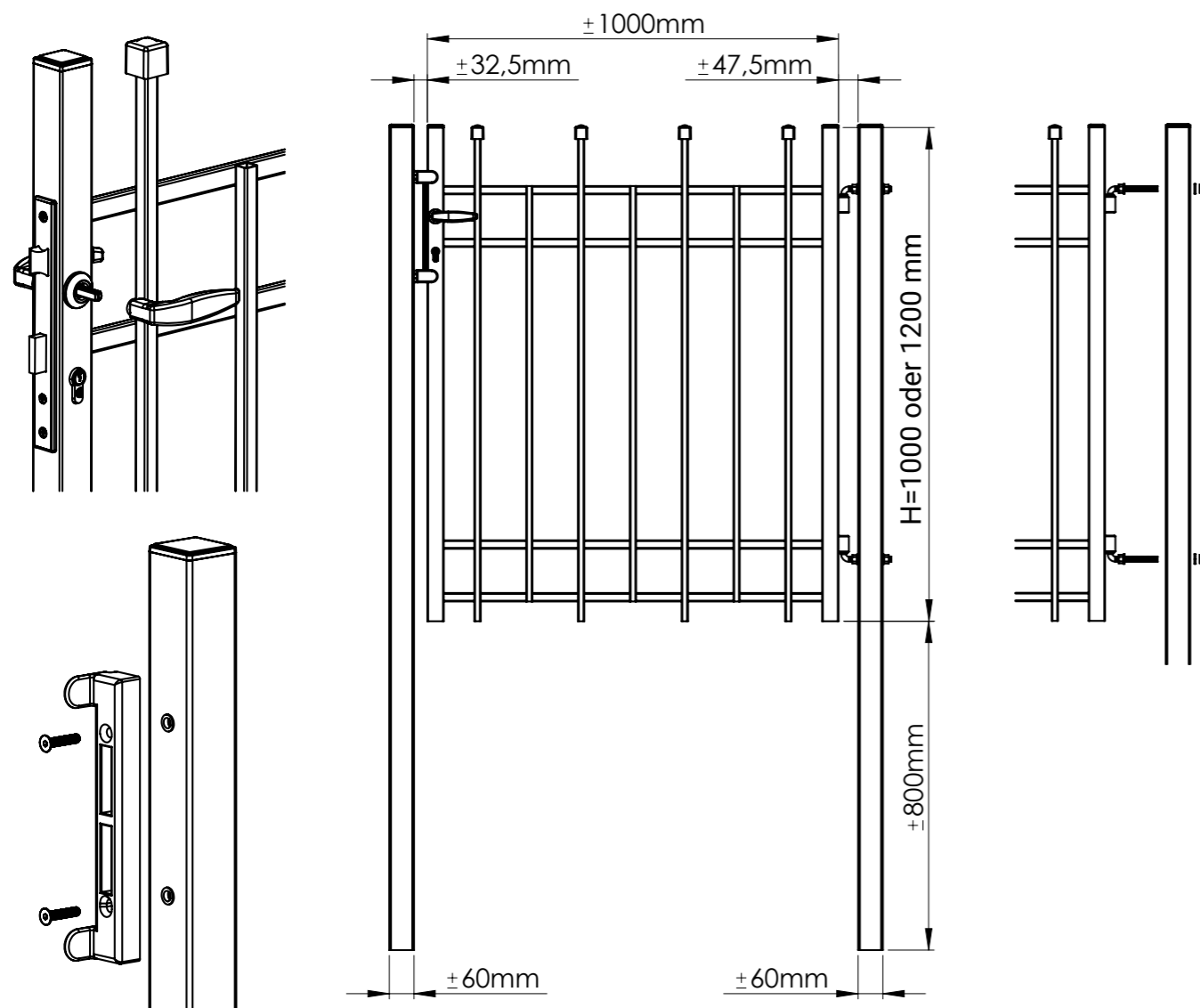
Then cut the green straps and pull them off the pallet. Carefully remove the products from the pallet.



Do you have posts or cover strips with your order? Make sure to lift them up properly when you remove them from the pallet, this way you prevent scratches.

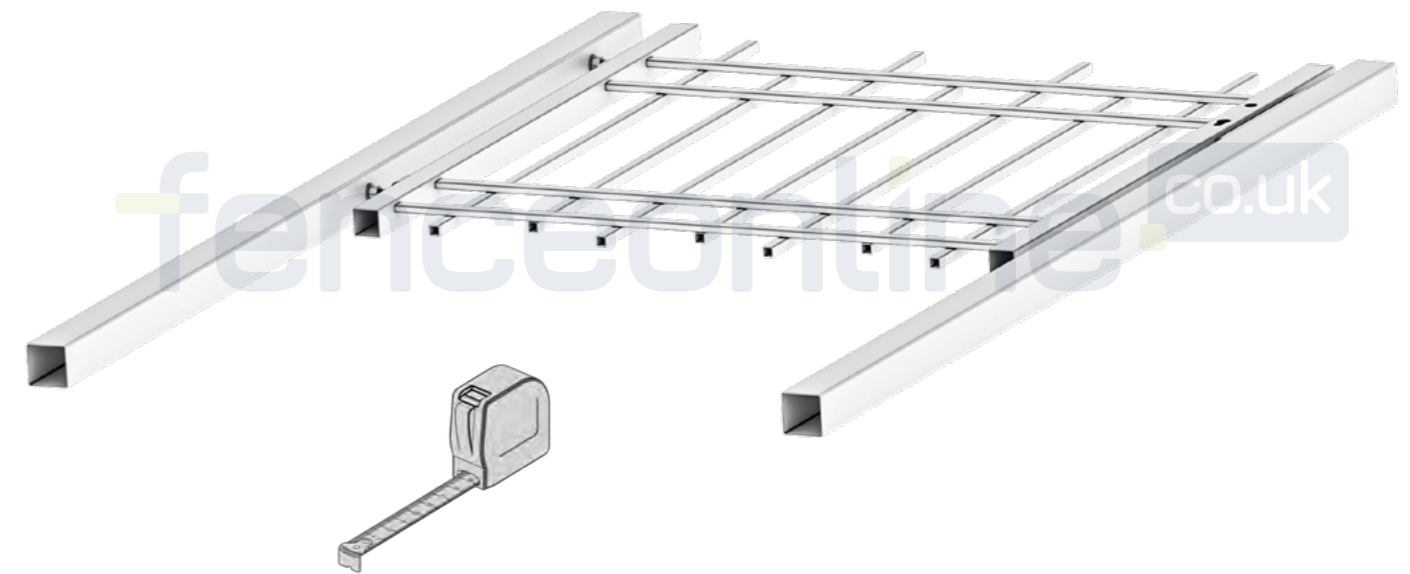
Dimensions of the Single Sagitta gate.

Single decorative gate Aurora



Preparation: Measuring is knowing.

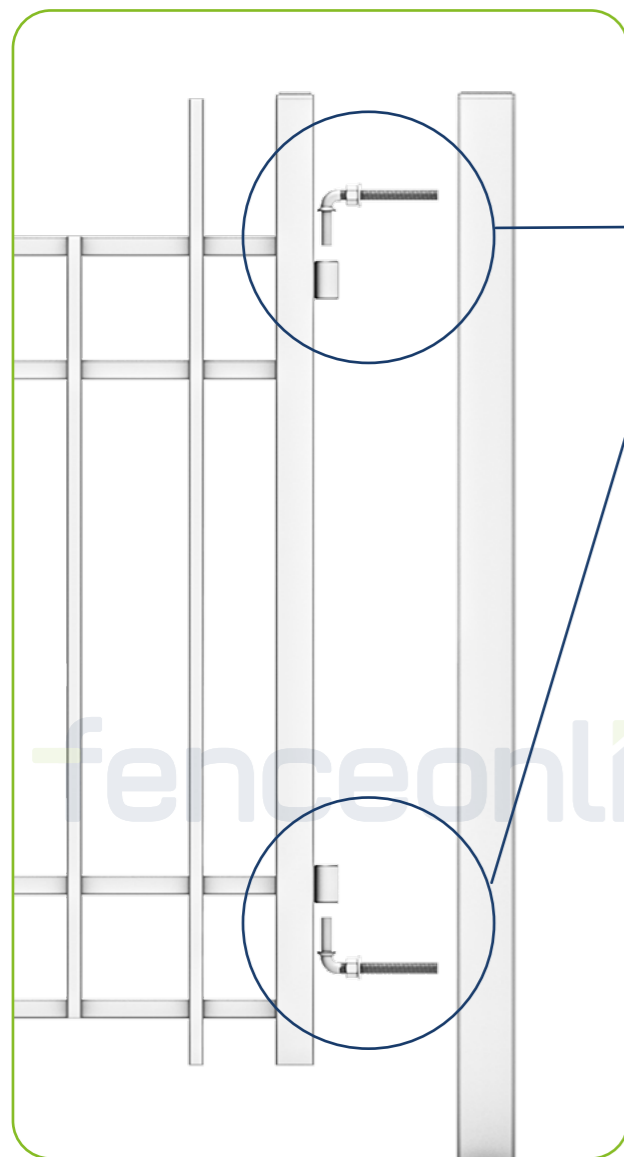
Single decorative gate Aurora



Lay out the gate parts on a soft surface and measure them. Determine the direction of rotation and position of the gate before placing the posts.

Assembly: The hinge pins.

Single decorative gate Aurora



Assemble the hinge pins in advance for ease of assembly later. Tighten the nuts on both hinge pins equally so that the gate will hang level. Install the hinge pins mirrored from each other to prevent the gate from sliding vertically.

Assembly: Secure the posts.

Single decorative gate Aurora

Level the posts with a spirit level at the correct position and height and secure them with concrete. To do this correctly, follow the instructions on the packaging. Let the concrete harden before installing the gate wing!



This step also determines how the gate opens and closes. Make sure you place the posts correctly.

Assembly: The lock keep.

Single decorative gate Aurora

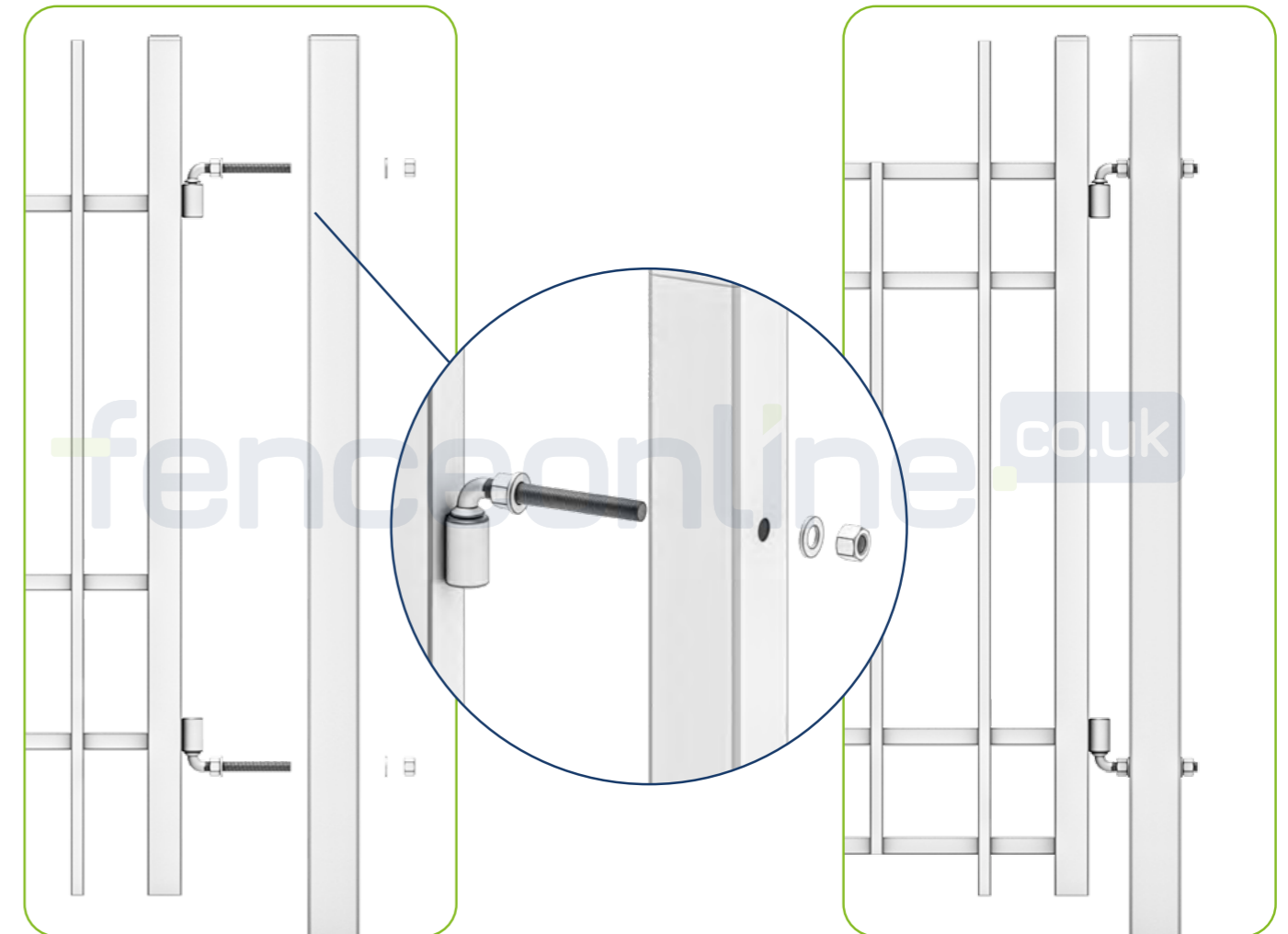
Assemble the lock keep on the post. Make sure that you mount the keep correctly in relation to the direction of rotation of the gate.



Assembly: The gateleaf.

Single decorative gate Aurora

Insert the hinge pins into the pre-drilled holes in the posts and tighten with lock washer and nut.



Assembly: Turning the latch bolt.

Single decorative gate Aurora

Check whether the latch bolt is properly engaged, if this is not the case, you can turn it yourself. To do this, the lock case must be unscrewed from the gate wing.

1 Push the catch up to extend the latchbolt.



2 Then turn the latch 180° to drop it in the correct position.



Assembly: The lock.

Single decorative gate Aurora



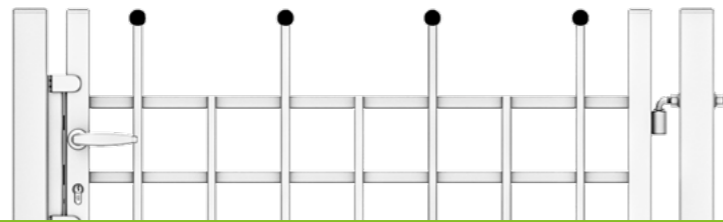
Insert the doorhandle pin through the lock and out through the other side. Slide the doorhandles on the pin on both sides and tighten them with the Allen key provided.

Finishing touch: The caps.

Single decorative gate Aurora

As a final action, place the caps on the bars of the gate.

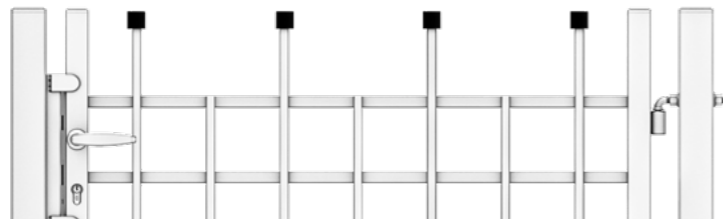
Round cap



Small square cap



Large square cap



Congratulations, your gate is installed!

Single decorative gate Aurora

