

Manual  
Single decorative gate  
Ceres.

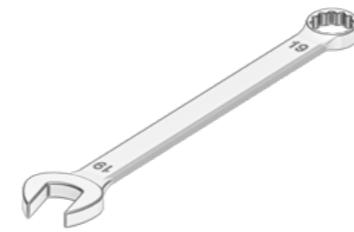
## Personal protective equipment.

Single decorative gate Ceres



## Tools needed to install the gate.

Single decorative gate Ceres



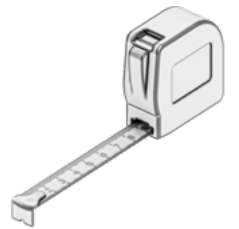
Wrench 19mm



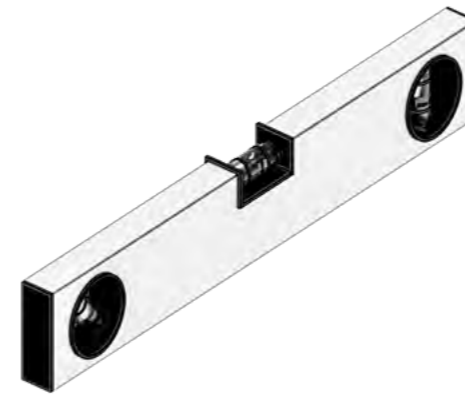
screwdriver  
Phillips head PH2



Allen key  
5 and 2,5 mm



Tape  
measure



Level



Shovel / auger



## Check your order.

Single decorative gate Ceres

The fencing, the posts, the gate and concrete are delivered on a pallet, possibly on several for large orders. Small orders are placed upright and tied to a wooden trestle and finally sealed. Large orders transported on big pallets are usually not sealed in foil.



Check the goods upon delivery and note any damage on the consignment note before signing. **(after signing the right of complaint expires).**



Keep the order in a safe and covered place until assembly to keep it in good condition.



## Carefully remove the products from the pallet.

Single decorative gate Ceres

Carefully cut open the foil with a boxcutter without damaging the products (Best on the short side of the pallet).

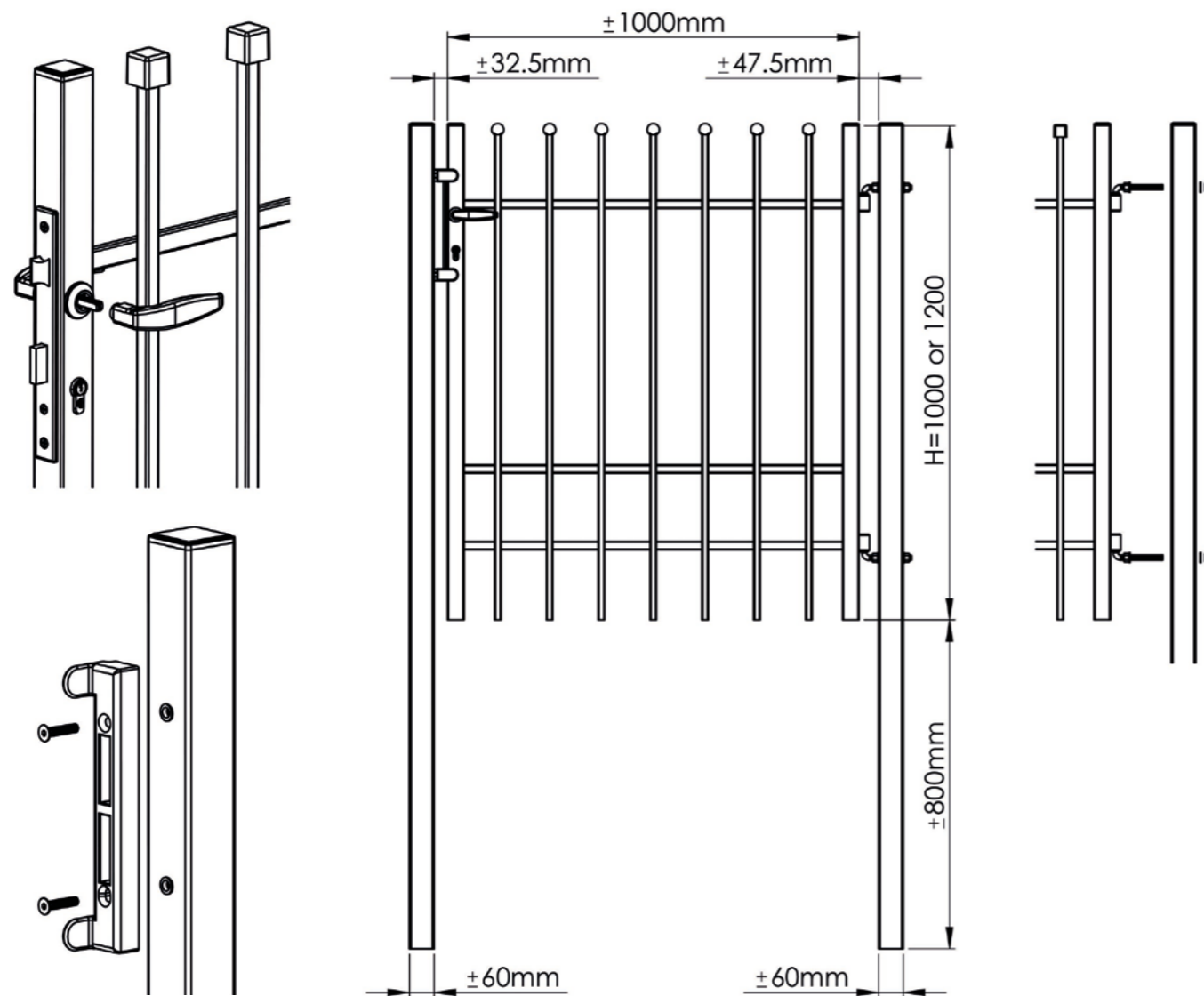
Then cut the green straps and pull them off the pallet. Carefully remove the products from the pallet.



Do you have posts or cover strips with your order? Make sure to lift them up properly when you remove them from the pallet, this way you prevent scratches.

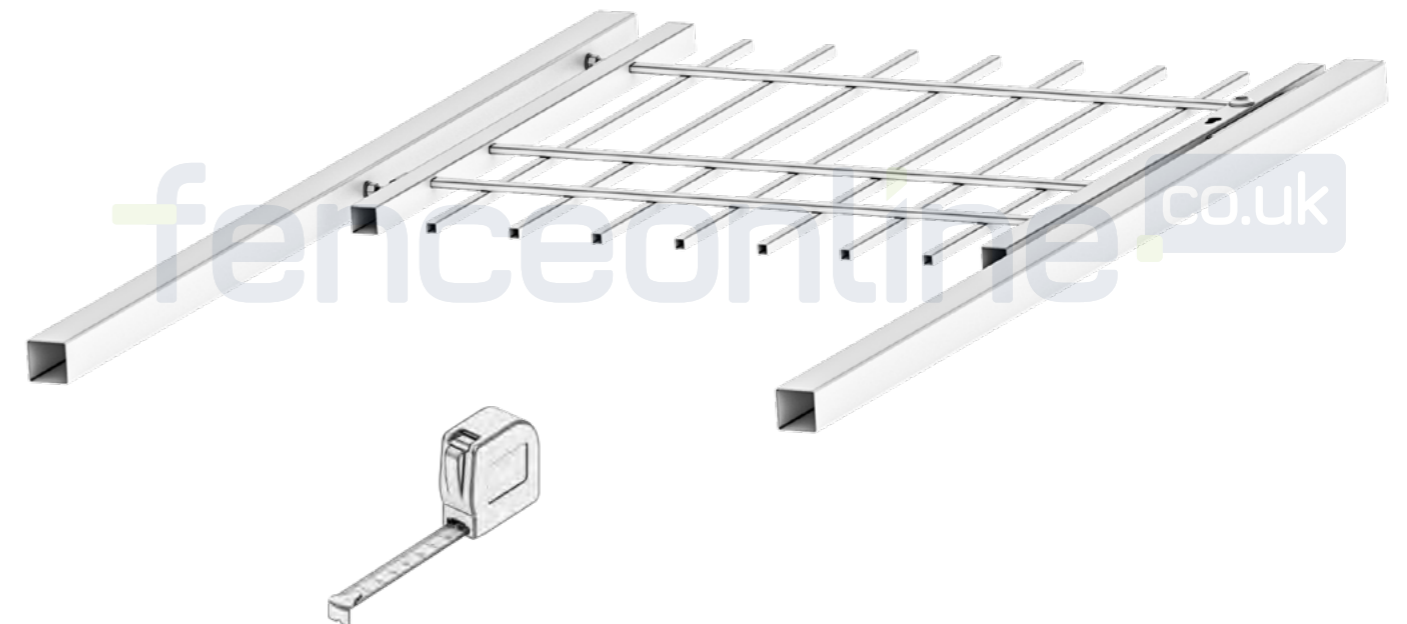
## Dimensions of the Single Ceres gate.

Single decorative gate Ceres



## Preparation: Measuring is knowing.

Single decorative gate Ceres



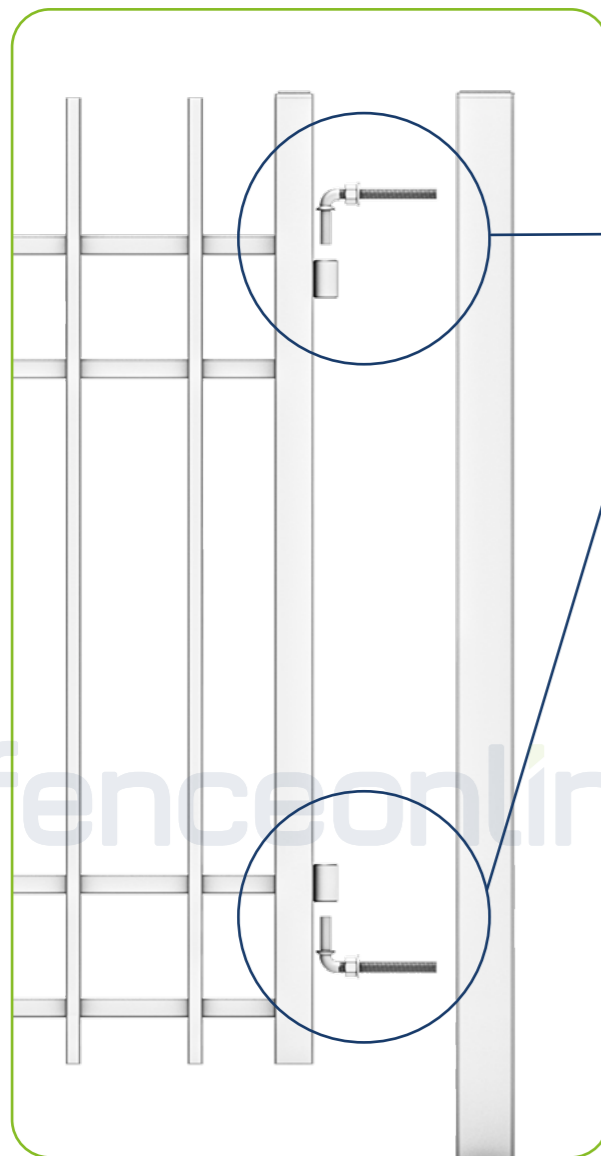
Lay out the gate parts on a soft surface and measure them. Determine the direction of rotation and position of the gate before placing the posts.

## Assembly: The hinge pins.

Single decorative gate Ceres

## Assembly: Secure the posts.

Single decorative gate Ceres



Assemble the hinge pins in advance for ease of assembly later. Tighten the nuts on both hinge pins equally so that the gate will hang level. Install the hinge pins mirrored from each other to prevent the gate from sliding vertically.

Level the posts with a spirit level at the correct position and height and secure them with concrete. To do this correctly, follow the instructions on the packaging. Let the concrete harden before installing the gate wing!



This step also determines how the gate opens and closes. Make sure you place the posts correctly!

## Assembly: The lock keep.

Single decorative gate Ceres

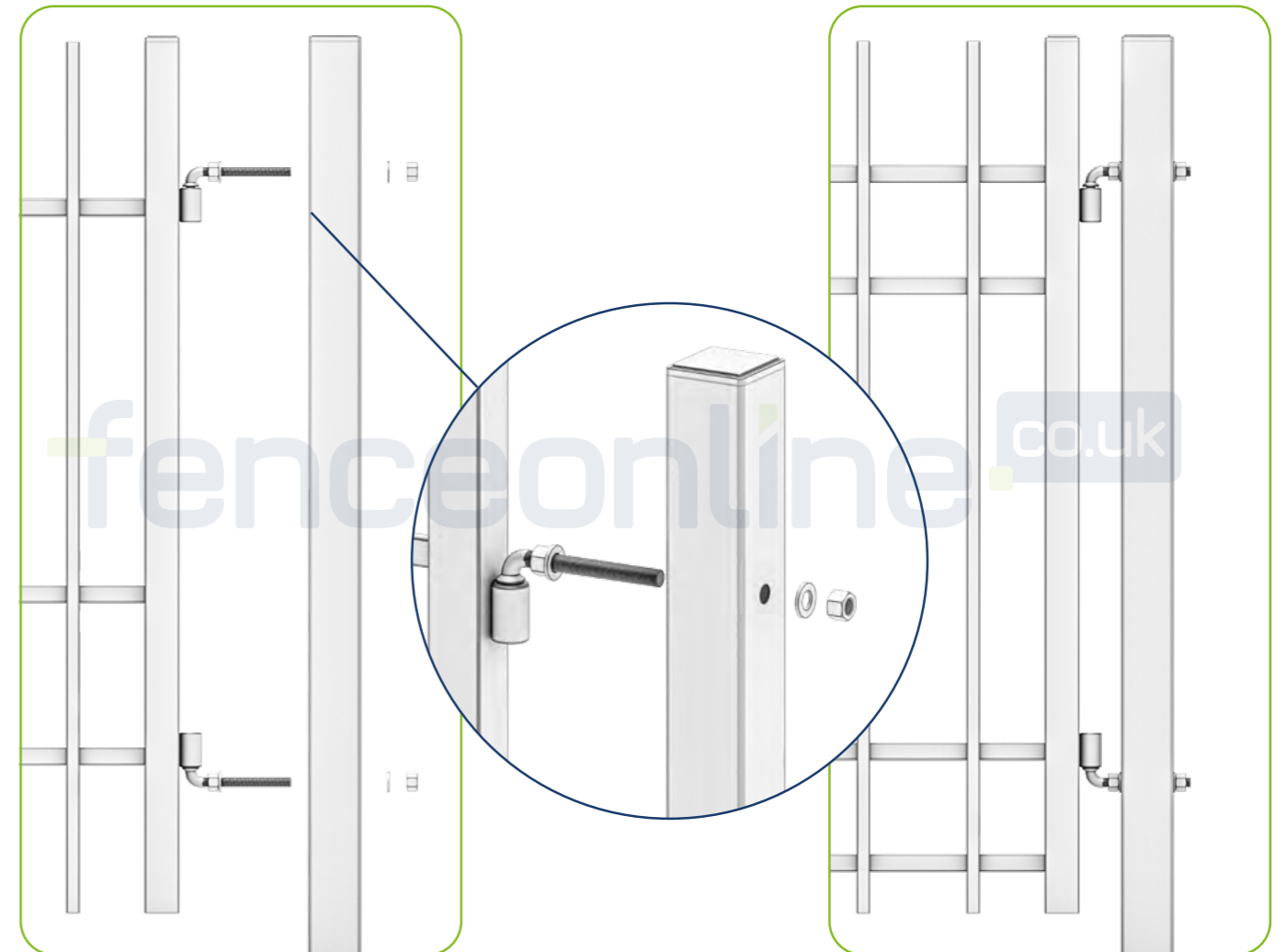
Assemble the lock keep on the post. Make sure that you mount the keep correctly in relation to the direction of rotation of the gate.



## Assembly: The gate leaf.

Single decorative gate Ceres

Insert the hinge pins into the pre-drilled holes in the posts and tighten with lock washer and nut.





## Assembly: Turning the latch bolt.

Single decorative gate Ceres

Check whether the latch bolt is properly engaged, if this is not the case, you can turn it yourself. To do this, the lock case must be unscrewed from the gate wing.

- 1 Push the catch up to extend the latchbolt.



- 2 Then turn the latch 180° to drop it in the correct position.



## Assembly: The lock.

Single decorative gate Ceres



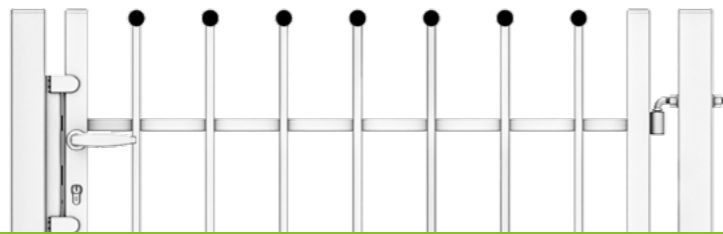
Insert the doorhandle pin through the lock and out through the other side. Slide the doorhandles on the pin on both sides and tighten them with the Allen key provided.

## Finishing touch: The caps.

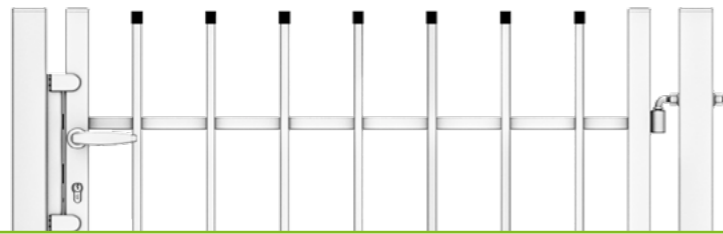
Single decorative gate Ceres

As a final action, place the caps on the bars of the gate.

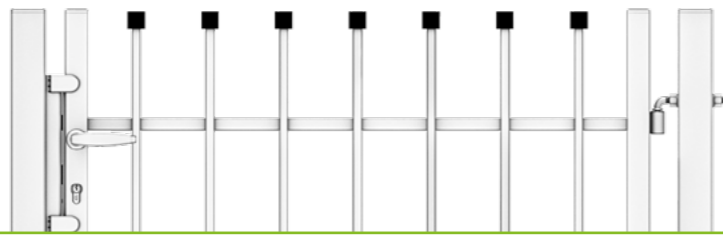
Round cap



Small square cap



Large square cap



## Congratulations, your gate is installed!

Single decorative gate Ceres

