

Manual

**Sagitta decorative fence
with 60x40 mm posts.**



fenceonline.co.uk

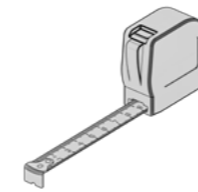
Personal protective equipment.

Sagitta decorative fence with 60x40 mm posts



What is needed to install the fence?

Sagitta decorative fence with 60x40 mm posts



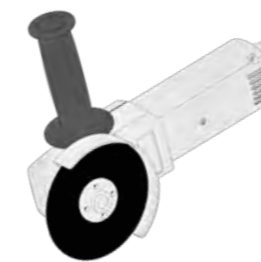
Tape measure



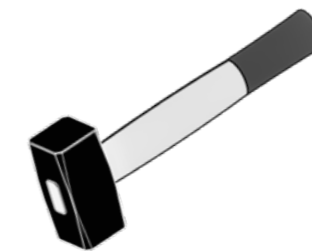
Rope / wire



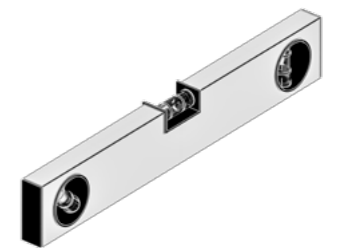
Shovel / Auger



Angle grinder



(Rubber) Hammer



Level



Wrench



Socket wrench 10mm

**Make it even easier for yourself.
The following could also
come in handy!**

- Postdriver
- Blanket
voor een zachte
ondergrond.
- Boxcutter
- A piece of wood
in the same size
as a fencepanel.

Check your order.

Sagitta decorative fence with 60x40 mm posts

The fencing, the posts, the gate and concrete are delivered on a pallet, possibly on several for large orders. Small orders are placed upright and tied to a wooden trestle and finally sealed. Large orders transported on big pallets are usually not sealed in foil.



Check the goods upon delivery and note any damage on the consignment note before signing. **(after signing the right of complaint expires).**



Keep the order in a safe and covered place until assembly to keep it in good condition.

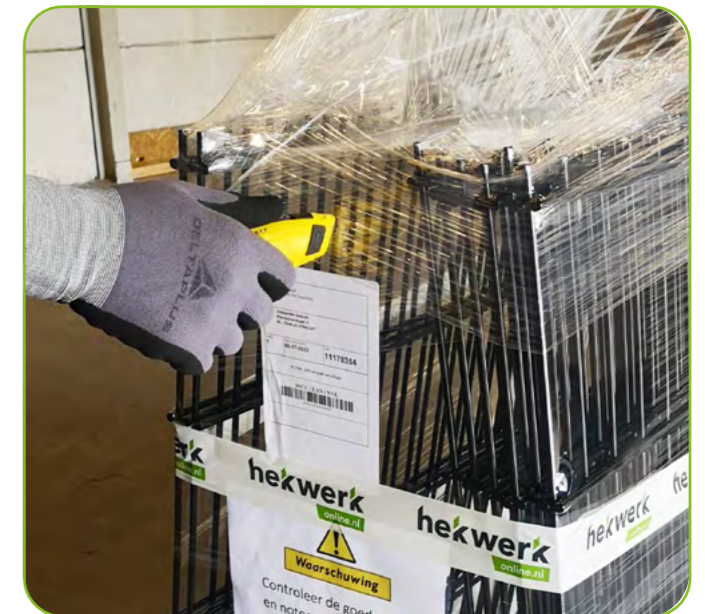


Carefully remove the products from the pallet.

Sagitta decorative fence with 60x40 mm posts

Carefully cut open the foil with a boxcutter without damaging the products (Best on the short side of the pallet).

Then cut the green straps and pull them off the pallet. Carefully remove the products from the pallet.

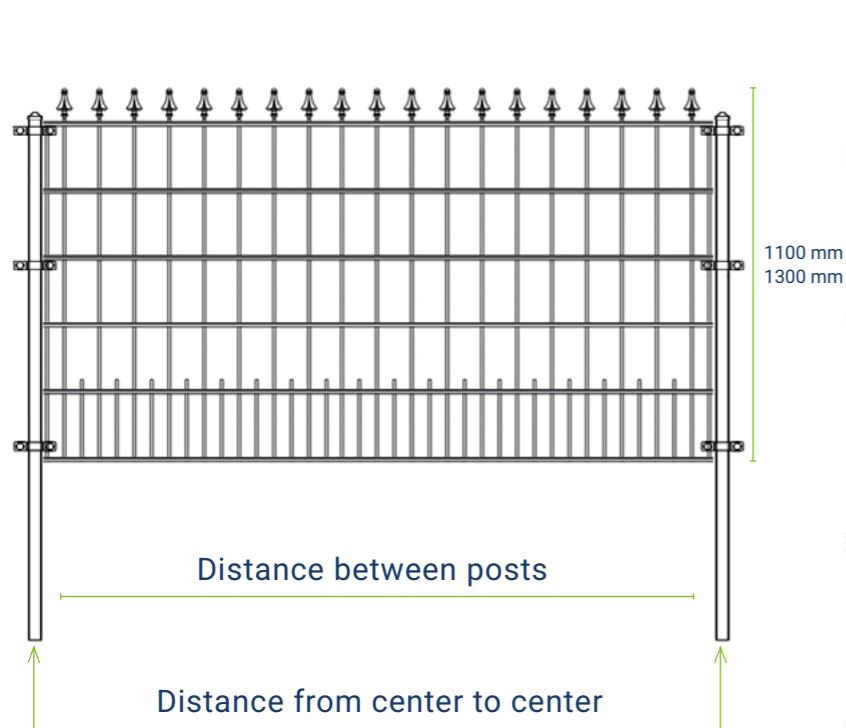


Do you have posts or cover strips with your order? Make sure to lift them up properly when you remove them from the pallet, this way you prevent scratches.

Overview

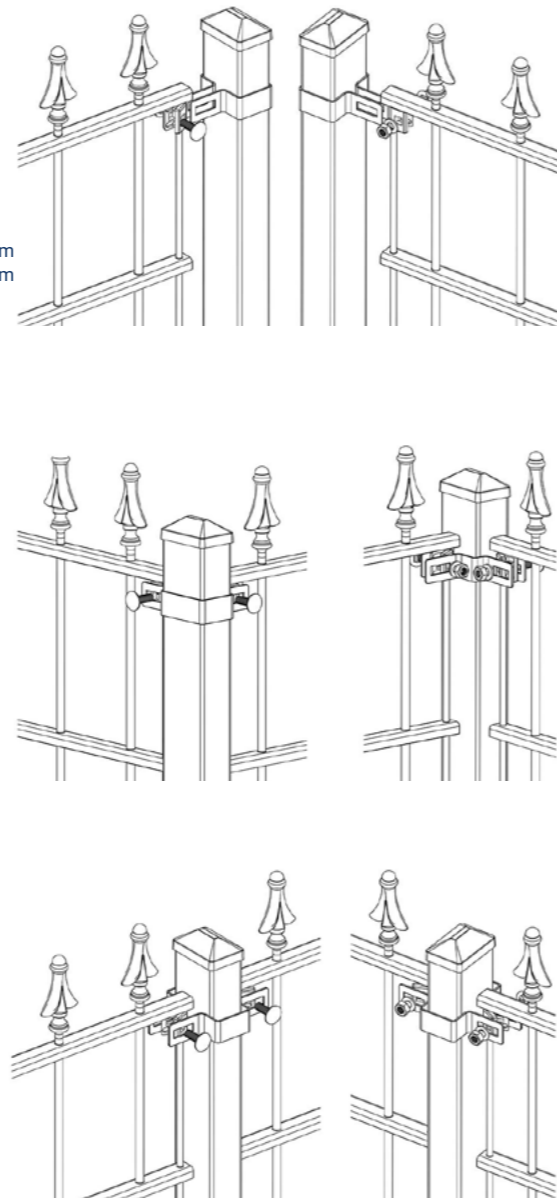
Sagitta decorative fence with 60x40 mm posts.

Sagitta decorative fence with 60x40 mm posts



*Center to center is the distance between the center of one object and the center of the other object. So from the center (middle) of the first post to the other center (middle) of the second post.

First carefully read the manual and make a plan of action before you start assembling!

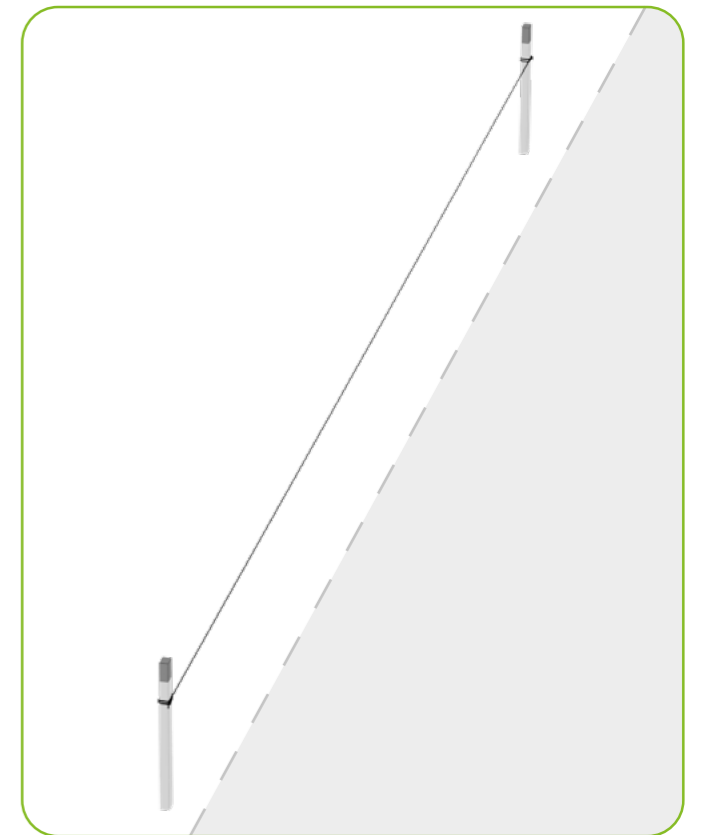


Preparation:

Measuring is knowing.

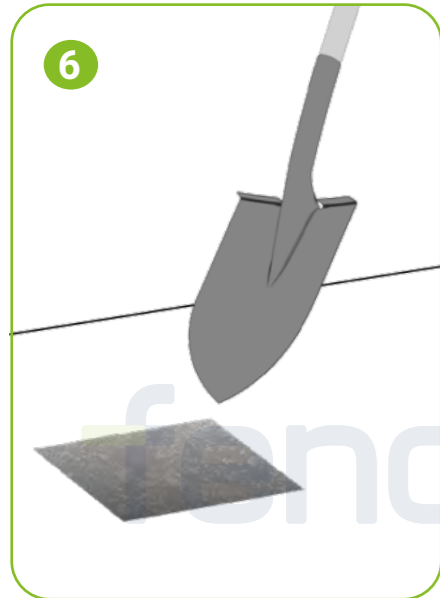
Sagitta decorative fence with 60x40 mm posts

- 1 Level the ground at the location where the fencing will be placed. Free up enough space to work properly.
- 2 Determine the starting point of your fence. This starting point must not be able to change in dimensions later.
- 3 Measure where the posts should be placed. For correct positioning of the posts, measure from the center of the posts. (The center to center*) The fence overlaps about 1 cm per post with the post. So you calculate the length of the fence minus one cm on both sides to know the space between the posts.
- 4 Stretch a wire along which your fence must be placed. Use picket posts here if necessary.
- 5 It is advisable to use for example a piece of wood in the size of the fence, so you don't need a fence to measure between the posts with a fence.



Assembly: The first post.

Sagitta decorative fence with 60x40 mm posts



6

Dig or drill a hole of approximately 30 x 30 cm where the first post is to be placed. Remove any stones, roots or other material from the ground where the posts will be placed.



7

Place the post in the hole. Check if it is level and place it against the stretched wire. Then bring it into the ground to the correct height. Use one if necessary a post driver. The 60x40 mm post generally goes **60 cm** into the ground. We recommend keeping the fencing minimal 5 cm above ground level to place.



8

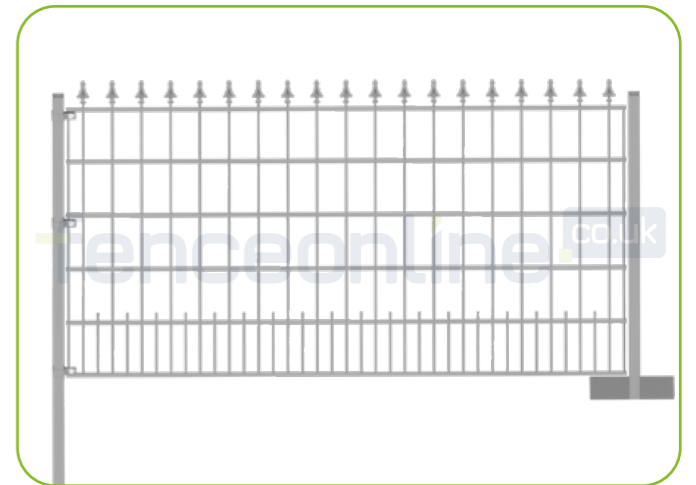
Secure the post with (quikdrying) concrete. For fencing higher than 1 meter, we recommend to always secure the posts with (quikdrying) concrete. Follow the instructions on the packaging. Let the concrete harden before mounting the fencepanels.

Assembly: Preparation and second post.

Sagitta decorative fence with 60x40 mm posts

It is wise to install the fences with two or more people.

When you install a fence for the first time, we recommend starting with one fencepanel. From there you can measure how far apart the posts should be and apply any corrections. So don't place all the posts in concrete first. Posts that are set in concrete are not easy to move.



Measure from the first post with a fence or with a measuring stick where the second post should be, dig or drill another hole and level the post in concrete. When you are mounting the brackets later, place the nuts on the bolts, but don't tighten them yet. This way, the fence is in place, but can be corrected later. Then do the same to the next post. Work your way to the end, fence by fence and post by post.

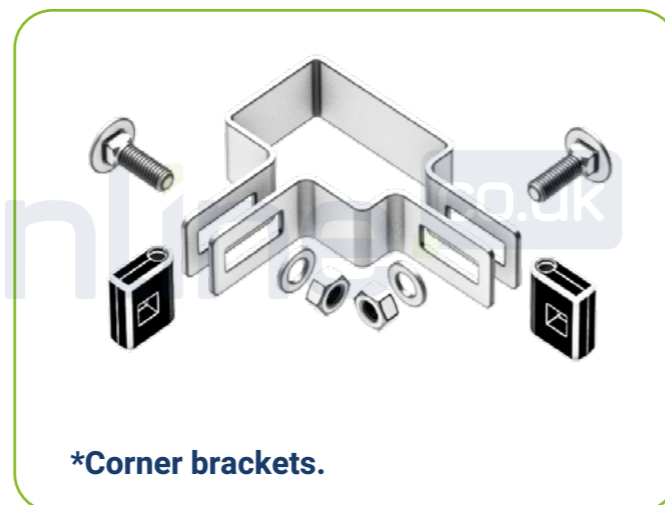
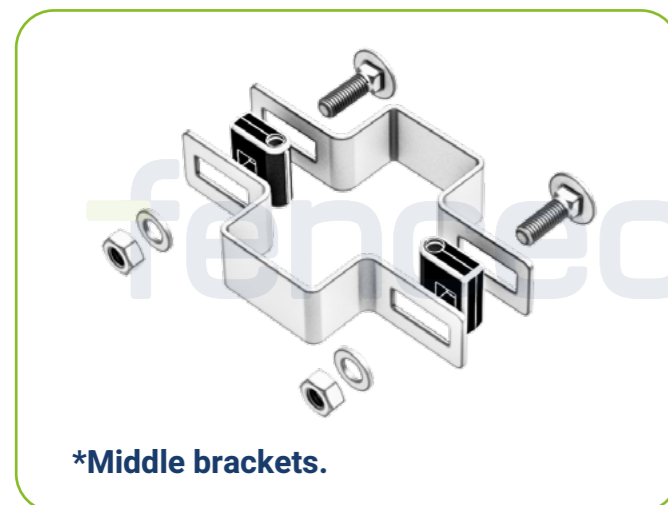
Montage: Sortering van de beugels.

Sagitta decorative fence with 60x40 mm posts

- 9** Prepare the brackets for mounting.
Divide the brackets over the number of posts to see how many are needed per post. Also sort the end, middle and corner brackets. Then determine at what heights you place the brackets.
Mount the brackets at 400 - 600 mm from each other. Take into account that caps will be placed on top of the posts later, so you will need some space for that.



Tip: You might drop a nut or bolt during assembly. To prevent you from losing it, you can place a blanket at the bottom of the post that will catch it.

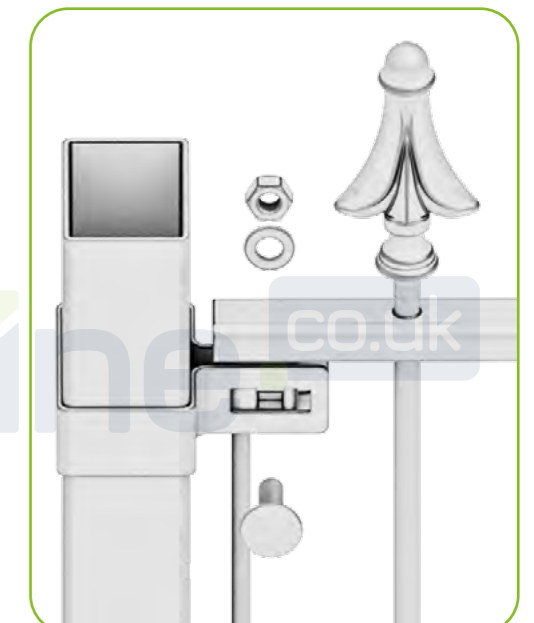
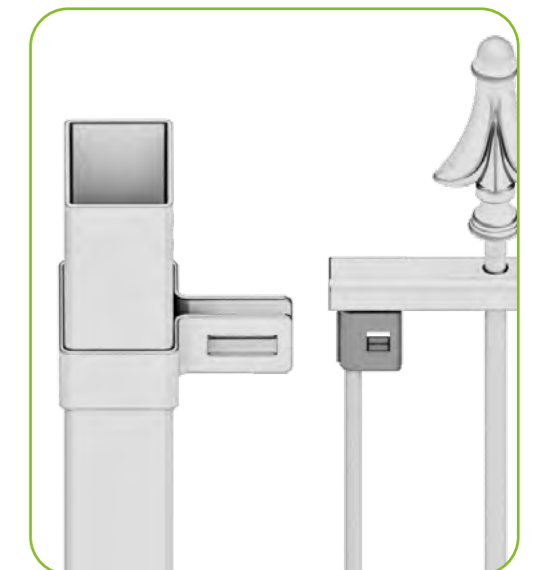
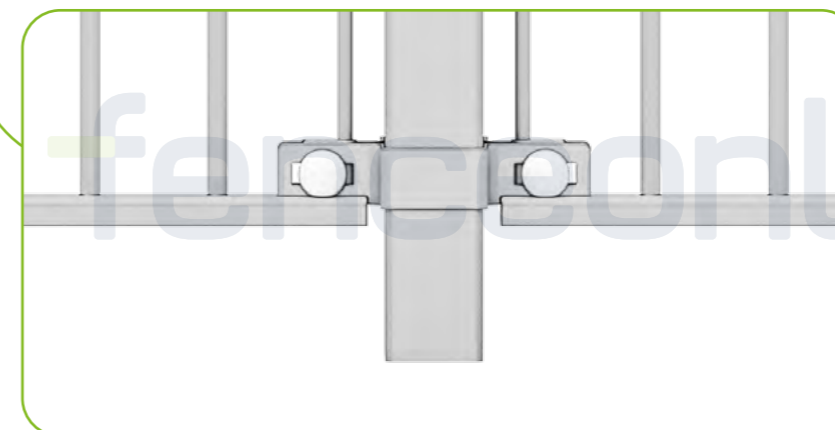


Montage: Het hekwerk monteren met een begin-/eindbeugel.

Sagitta decorative fence with 60x40 mm posts

- 10** Slide the correct amount of end brackets over the post (depending on the height of the fence). Then place the plastic clamps around the outer bar of the fence at the location of the brackets. Slide the gate with the clamps into the bracket. Insert the bolt through the bracket and on the other side of the bracket place the washer and nut on the bolt, but do not tighten yet. Repeat for all brackets on the post. You can rest the gate on a raised platform so that it is approximately at the right height, but make sure that the fence cannot fall over while you secure the other side of the fence.

Make sure the lower bracket is above the twin bar and attached to the fence. When placing the bolts, take into account the direction in which you insert the bolt. Make sure that the nut cannot be loosened from outside the fence.

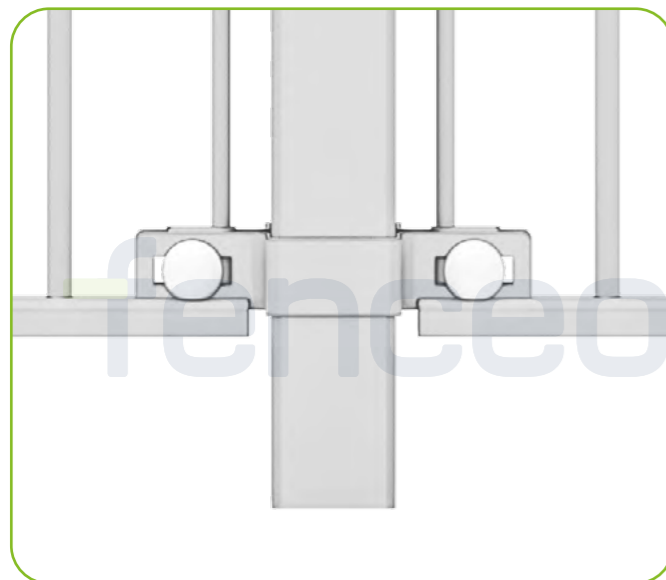


Montage: Het hekwerk monteren met een tussenbeugel.

Sagitta decorative fence with 60x40 mm posts

- 9** Prepare the brackets for mounting. Divide the brackets over the number of posts to see how many are needed per post. Also sort the end, middle and corner brackets. Then determine at what heights you place the brackets. Mount the brackets at 400 - 600 mm from each other. Take into account that caps will be placed on top of the posts later, so you will need some space for that.

Tip: You might drop a nut or bolt during assembly. To prevent you from losing it, you can place a blanket at the bottom of the post that will catch it.

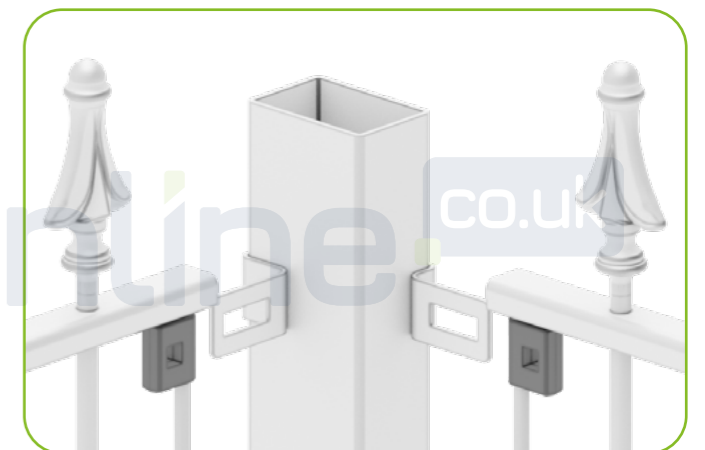
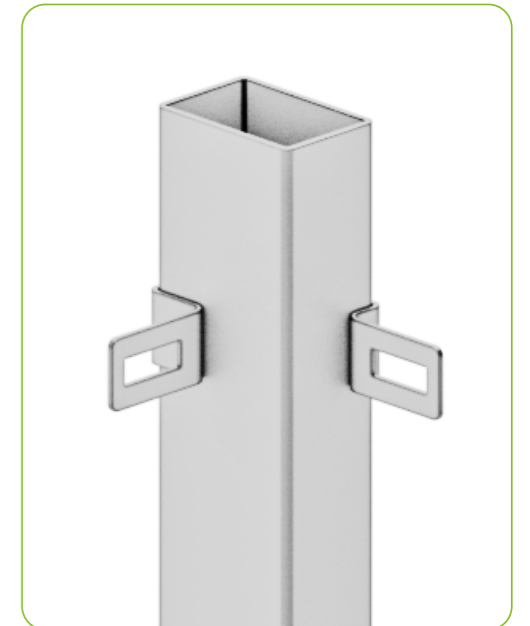


Montage: Het hekwerk monteren met een hoekbeugel

Sagitta decorative fence with 60x40 mm posts

- 10** Slide the correct amount of end brackets over the post (depending on the height of the fence). Then place the plastic clamps around the outer bar of the fence at the location of the brackets. Slide the gate with the clamps into the bracket. Insert the bolt through the bracket and on the other side of the bracket place the washer and nut on the bolt, but do not tighten yet. Repeat for all brackets on the post. You can rest the gate on a raised platform so that it is approximately at the right height, but make sure that the fence cannot fall over while you secure the other side of the fence.

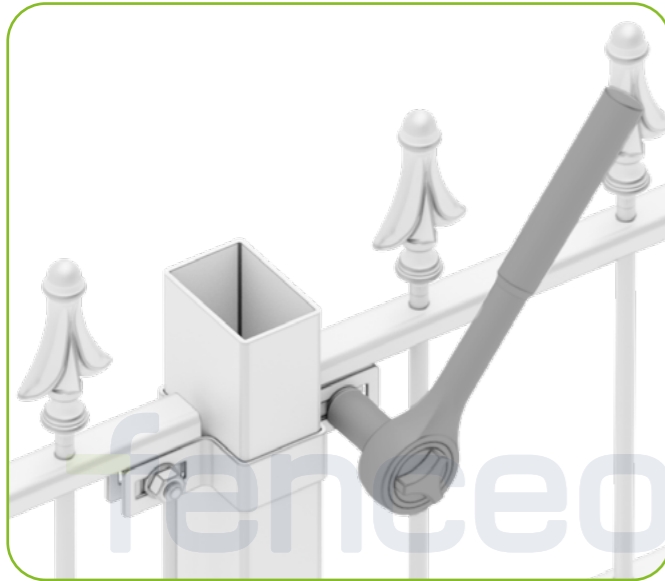
Make sure the lower bracket is above the twin bar and attached to the fence. When placing the bolts, take into account the direction in which you insert the bolt. Make sure that the nut cannot be loosened from outside the fence.



Montage: De hekken waterpas hangen, en de beugels vastdraaien.

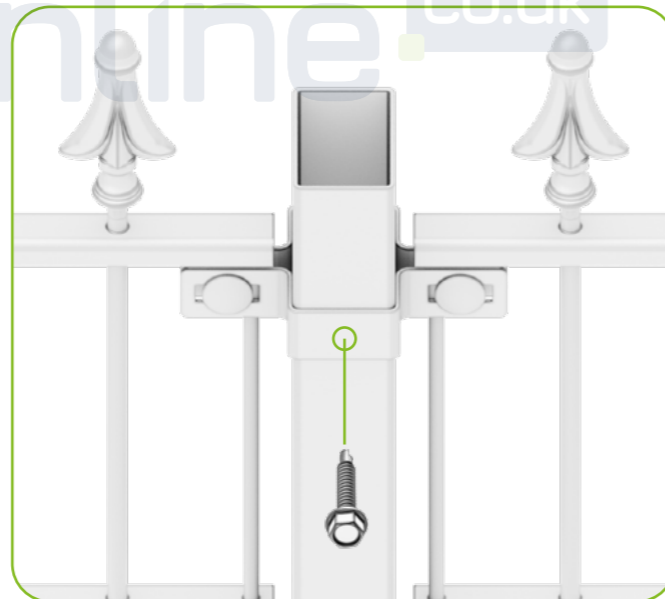
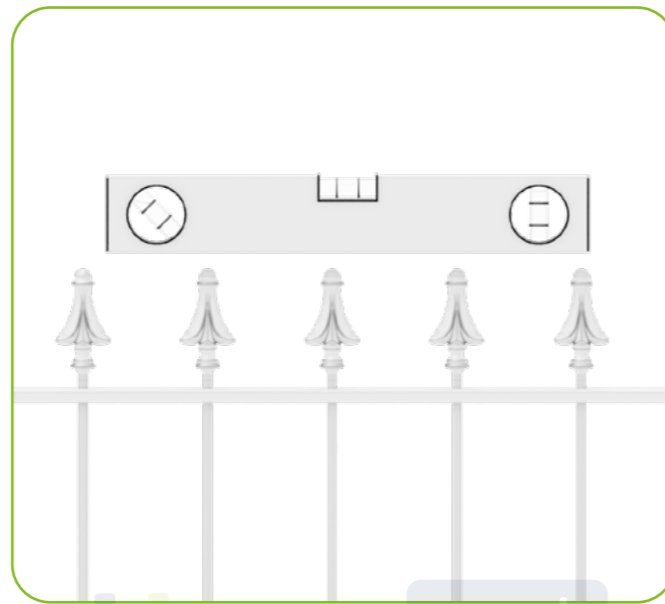
Sagitta decorative fence with 60x40 mm posts

- 13** Start again at the first fencepanel.
Keep the fence at the correct height
and level the fence with a spirit level.



- 14** Then tighten the nuts tightly with a
socket wrench or wrench.

- 15** When all fences are levelled and the
brackets are tightened, take a
self-tapping screw and screw it in each post
into the hole in the top bracket. One screw per
post is enough.

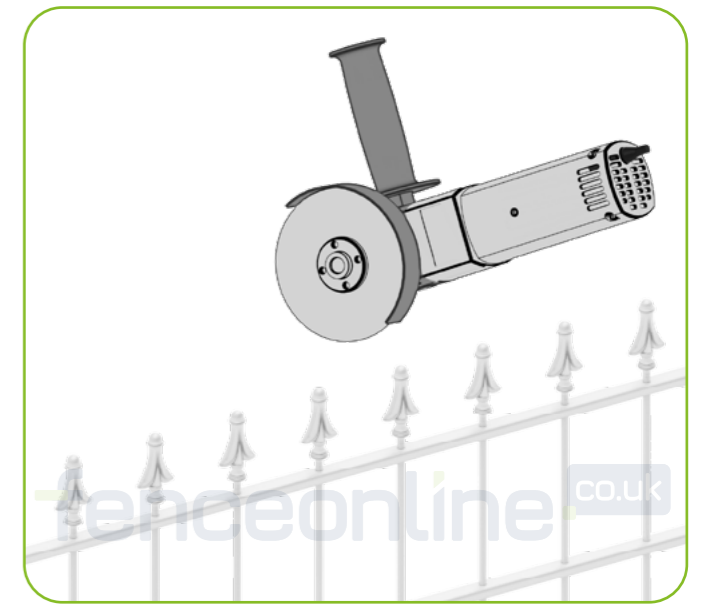


Montage: Een hekwerkpaneel inkorten.

Sagitta decorative fence with 60x40 mm posts

- 16** If you want to place a fencepanel
that needs to be shortened, you
can shorten it with an angle grinder.

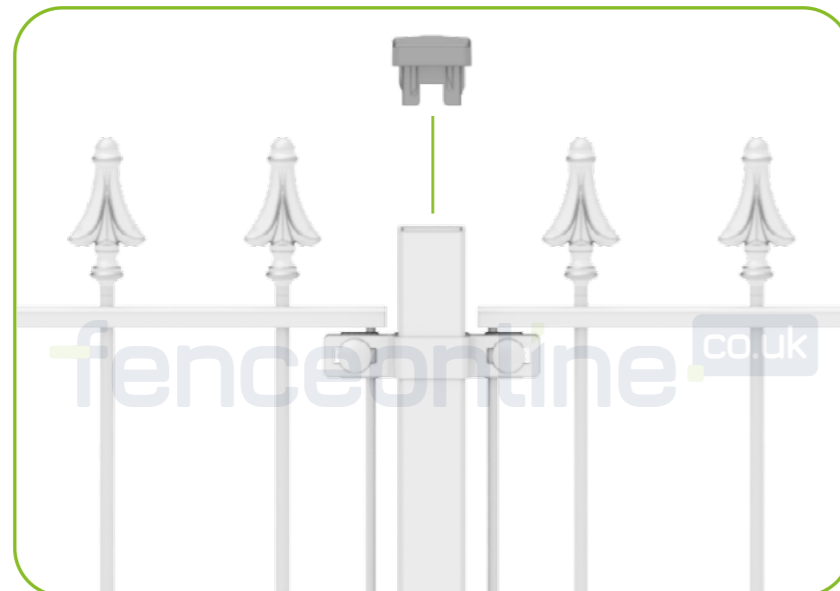
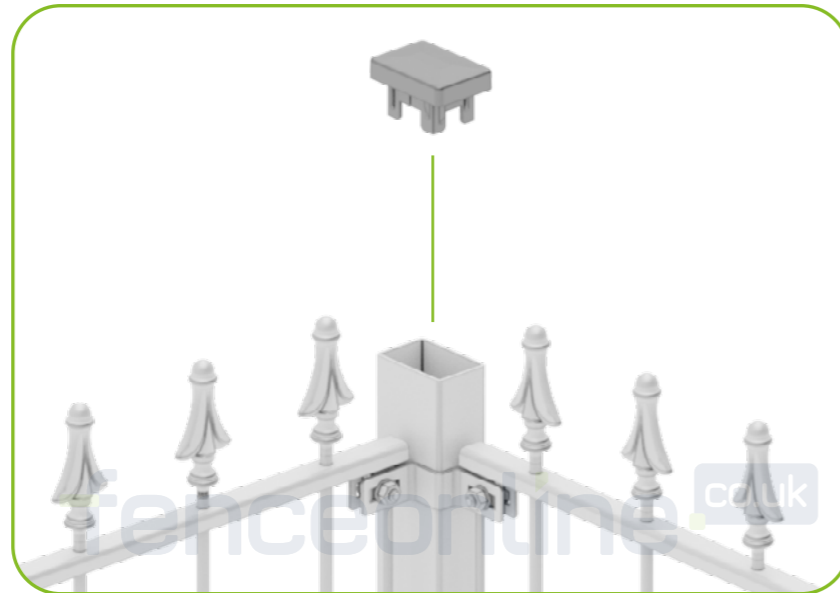
Use the spray can to paint the grinded
part of the fence to prevent rust.



De laatste handelingen

Sagitta decorative fence with 60x40 mm posts

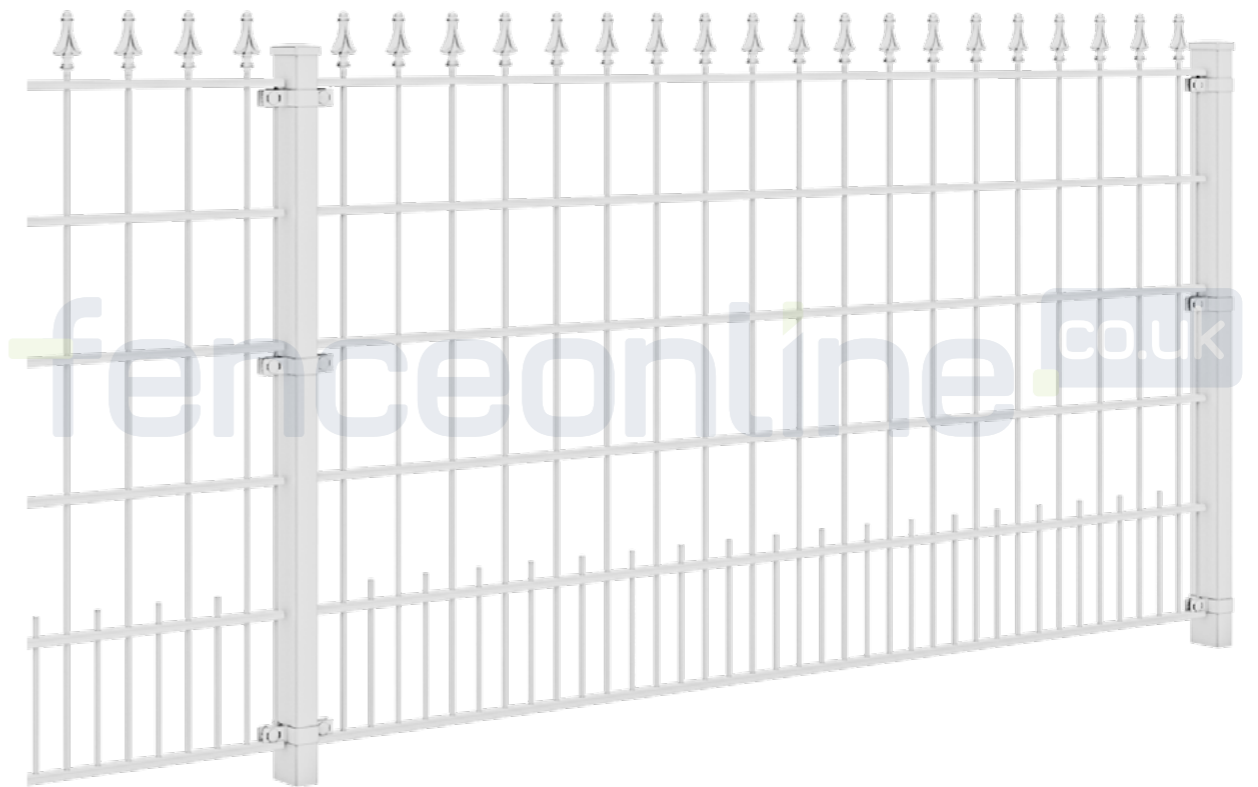
- 17 As a final action, place the caps on the posts.



Gefeliciteerd, je hek staat!

Sagitta decorative fence with 60x40 mm posts

- 18 Do not forget to take pictures of your fence and send them to:
customerservice@fenceonline.co.uk
Or post them with #fenceonline!



Did you find this manual useful?
We would love to hear your feedback!



Send your reactions to:
customerservice@fenceonline.co.uk