

**Manual
double Professional gate
3000 mm and 4000 mm.**

fenceonline.co.uk

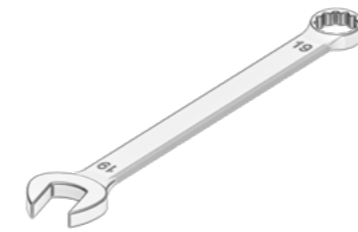
Personal protective equipment.

Double Professional gate 3000 and 4000 mm



Tools needed to install the gate.

Double Professional gate 3000 and 4000 mm



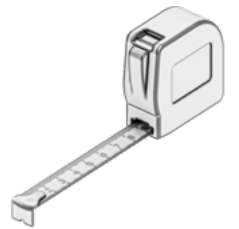
Wrench 19mm



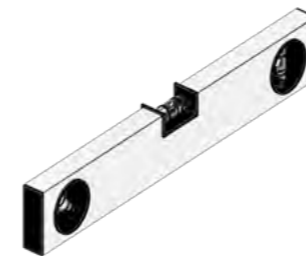
screwdriver
Phillips head PH2



Allen key
5 and 2,5 mm



Tape
measure



Level



Metal drill
15 mm



Shovel / auger

Check your order.

Double Professional gate 3000 and 4000 mm

The fencing, the posts, the gate and concrete are delivered on a pallet, possibly on several for large orders. Small orders are placed upright and tied to a wooden trestle and finally sealed. Large orders transported on big pallets are usually not sealed in foil.



Check the goods upon delivery and note any damage on the consignment note before signing. (after signing the right of complaint expires).



Keep the order in a safe and covered place until assembly to keep it in good condition.



Carefully remove the products from the pallet.

Double Professional gate 3000 and 4000 mm

Carefully cut open the foil with a boxcutter without damaging the products (Best on the short side of the pallet).

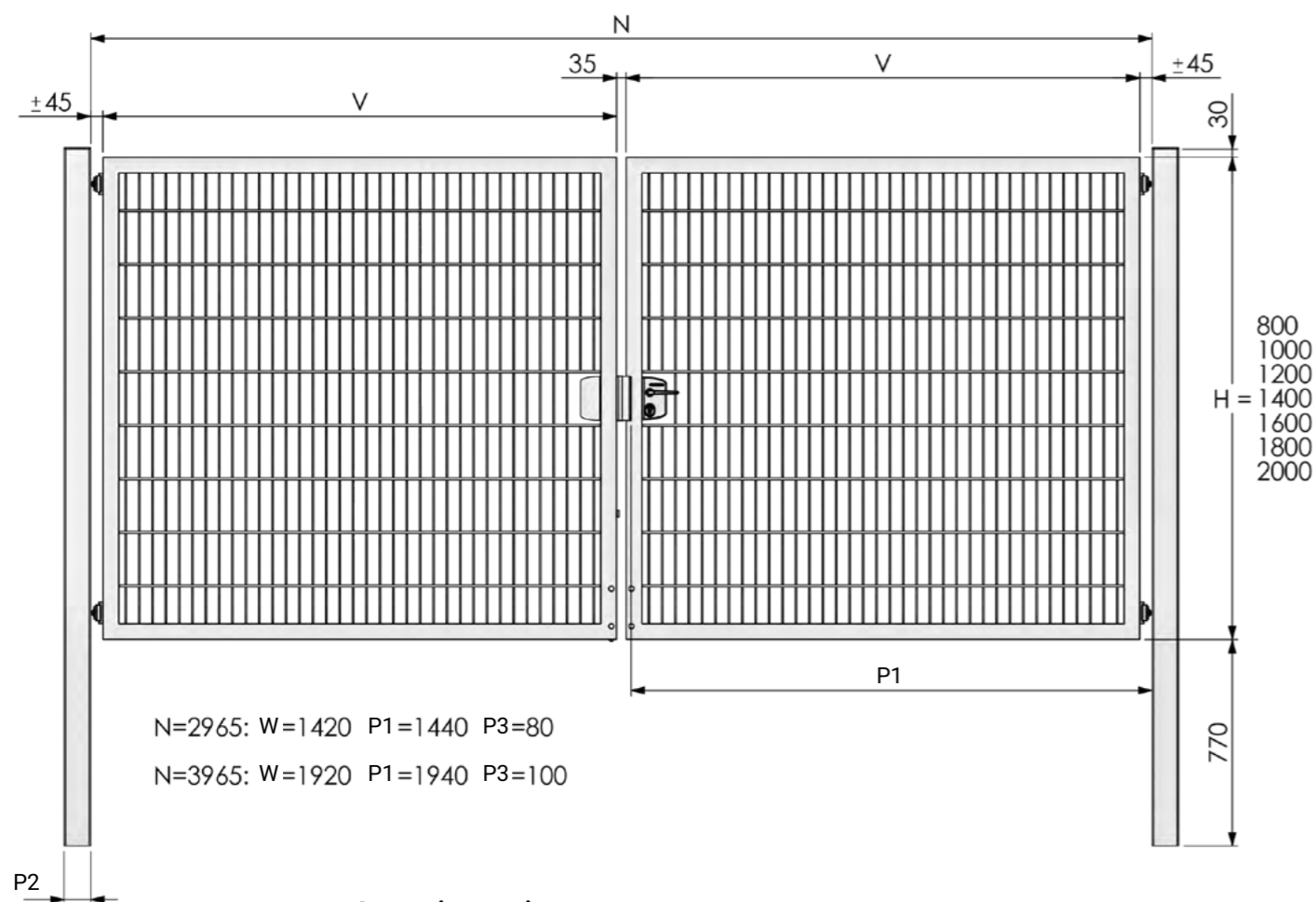
Then cut the green straps and pull them off the pallet. Carefully remove the products from the pallet.



Do you have posts or cover strips with your order? Make sure to lift them up properly when you remove them from the pallet, this way you prevent scratches.

Dimensions of the double Professional gate 3000 and 4000 mm wide.

Double Professional gate 3000 and 4000 mm



Approximate sizes

N = Size between posts (Nominal)

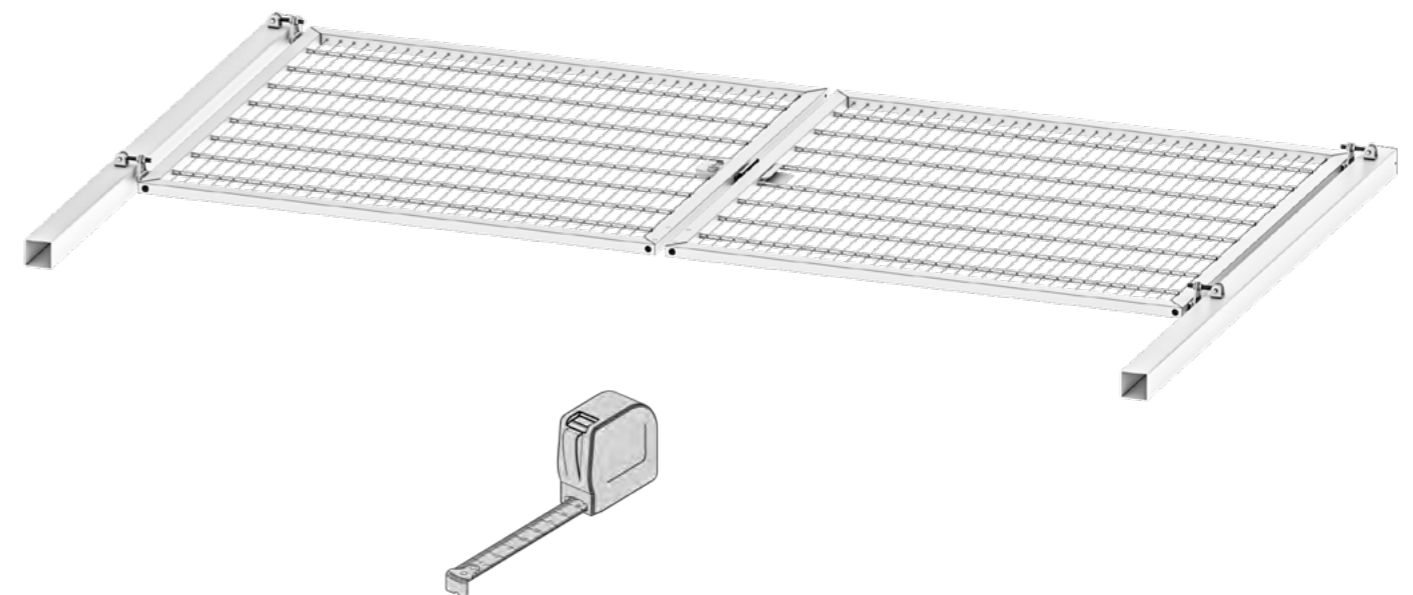
W = Wing width

$P1$ = Actual Passage between keep and hinge (Nominal)

$P2$ = Postwidth

Preparation: Measuring is knowing.

Double Professional gate 3000 and 4000 mm



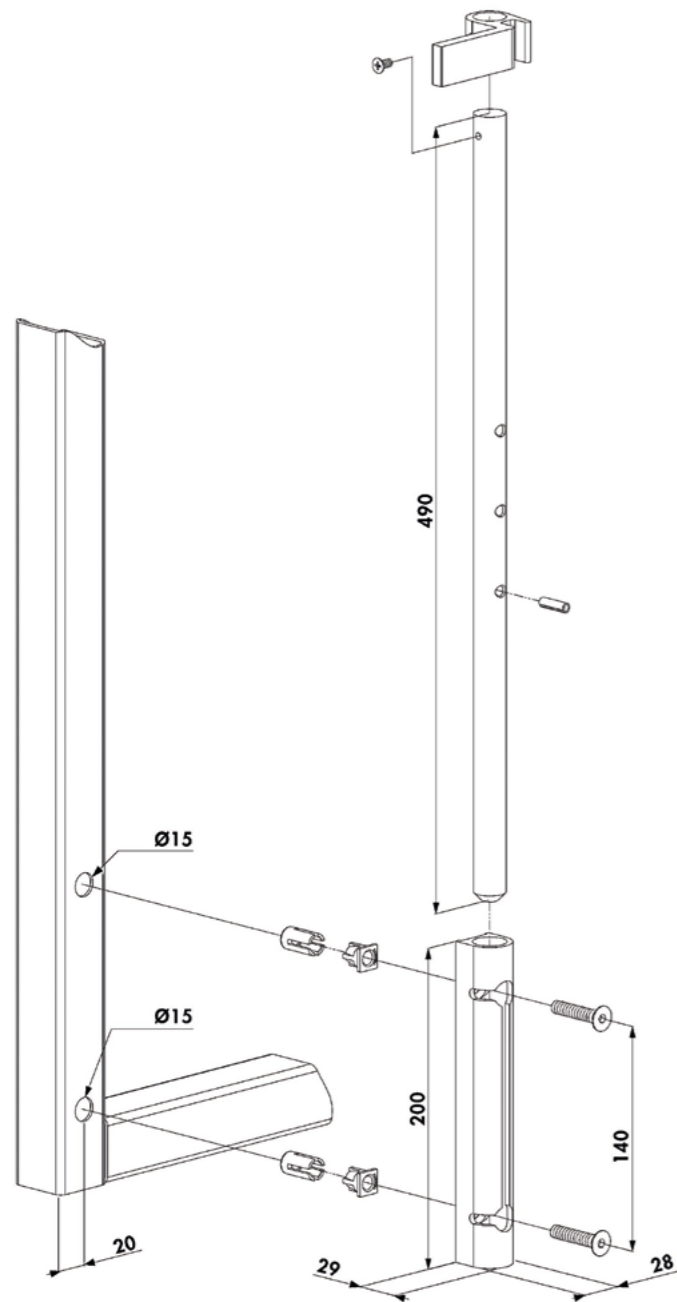
Lay out the gate parts on a soft surface and measure them.

Determine the **direction of rotation** and position of the gate before placing the posts.

Both wings are identical to each other.

Assembly: The dropbolt.

Double Professional gate 3000 and 4000 mm



Lay out all the parts of the ground latch and check if all parts are present.



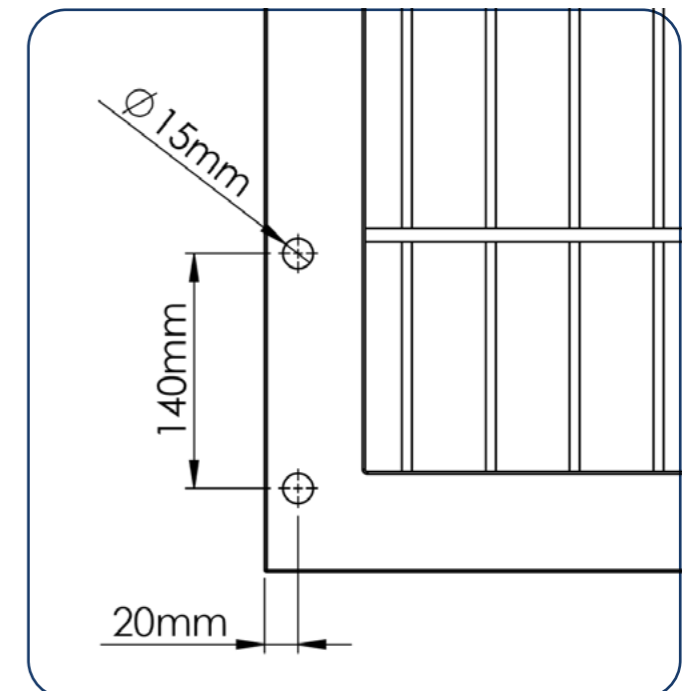
To secure the ground latch to the gate, first two holes need to be drilled in the gate leaf!

Assembly: The dropbolt.

Double Professional gate 3000 and 4000 mm

Determine where the ground latch needs to be on the gate leaf.

Mark where the holes need to be drilled. See the measurements on the image on the right where they should be.



Mark the holes correctly.



Drill the holes with a metal drill.

Assembly: The dropbolt.

Double Professional gate 3000 and 4000 mm

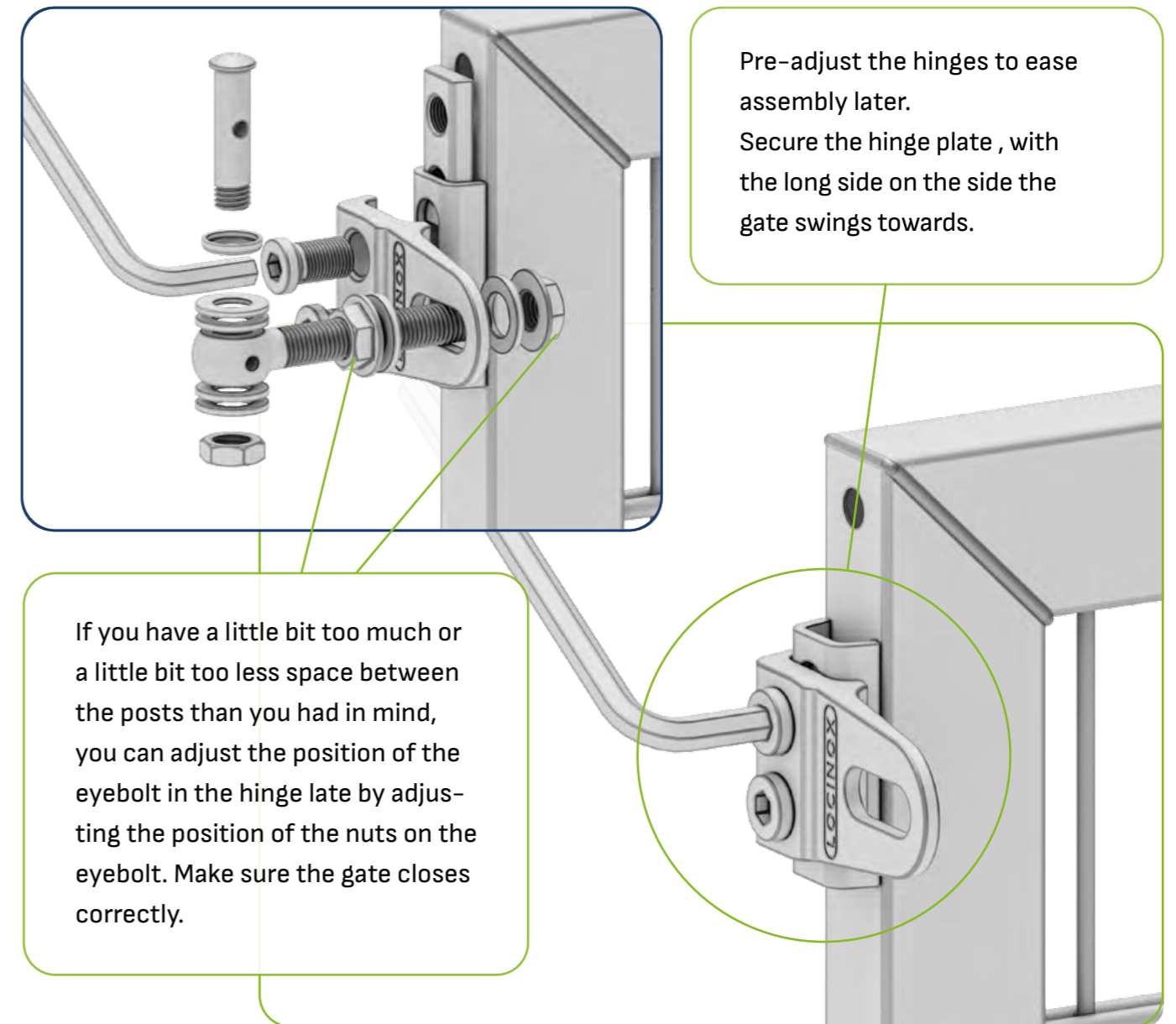


Align the holder with the holes in the gate leaf and insert the expanding nuts. Tighten the nuts with an Allen key.

Do not insert the latch pin yet, this will be the last step of the manual and will be done when the gate is fully installed.

Preparation: Measuring is knowing.

Double Professional gate 3000 and 4000 mm



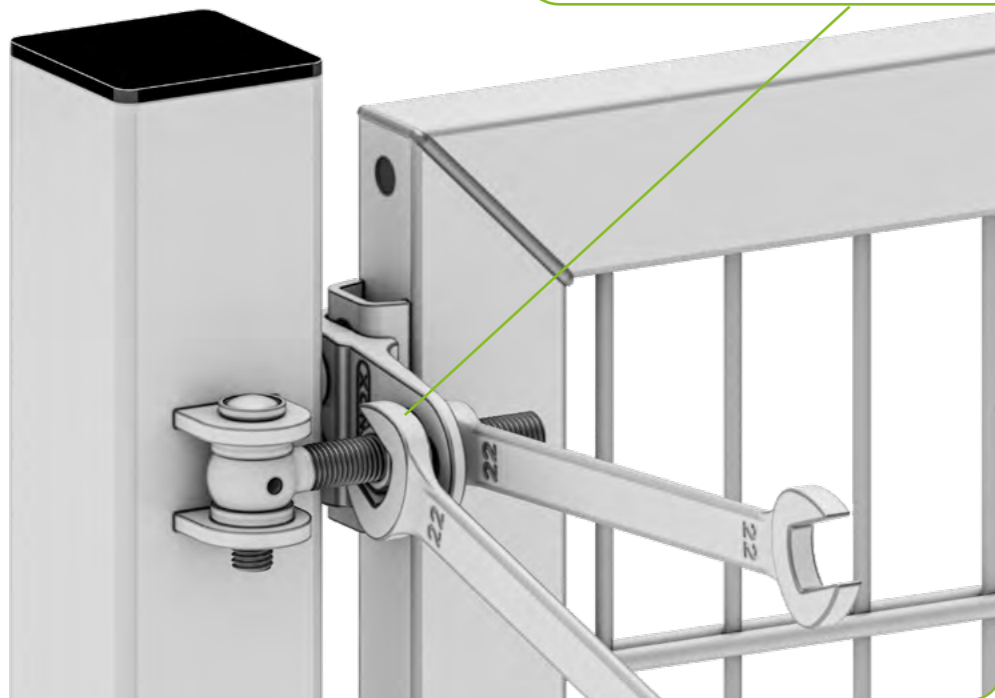
Pre-adjust the hinges to ease assembly later.
Secure the hinge plate, with the long side on the side the gate swings towards.

If you have a little bit too much or a little bit too less space between the posts than you had in mind, you can adjust the position of the eyebolt in the hinge late by adjusting the position of the nuts on the eyebolt. Make sure the gate closes correctly.

Preparation: Measuring is knowing.

Double Professional gate 3000 and 4000 mm

Tighten the nut on the eyebolt and then slide the eyebolt into the hinge plate. Tighten the second nut, but do not tighten it completely against the hinge plate. Turn the nut on both hinges the same number of turns so that the gate hangs straight.



Assembly: The first gate post.

Double Professional gate 3000 and 4000 mm

Level the first post with a spirit level in the correct position and height and secure with concrete. Follow the instructions on the packaging. Let the concrete harden before mounting the gate leaf!

To be sure, first place one post, then mount the first leaf. Now measure exactly where the second post should be placed.

Please note that the gate can be adjusted in width after installing, but not in height. So make sure the posts are the same height and level.



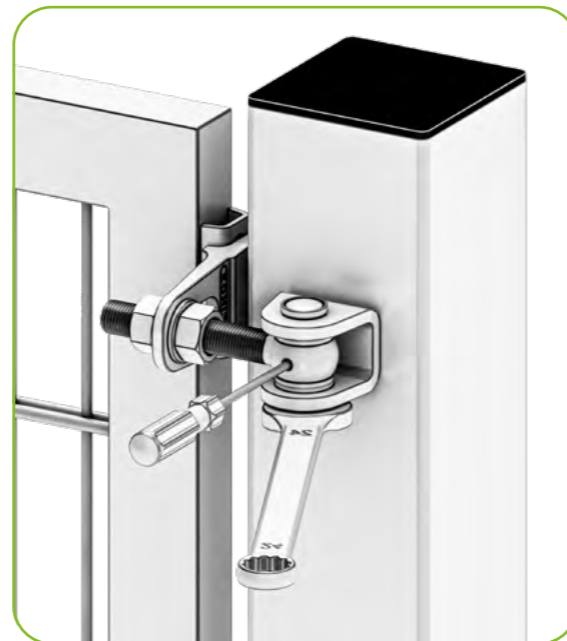
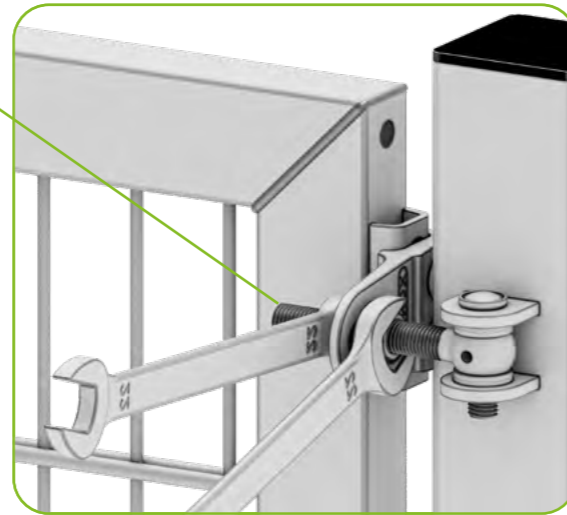
This step also determines which way the gate opens and closes. Make sure you place the posts correctly. The hinge plates on the post point in the direction the gate swings open. **DO NOT let the hinge plates point inwards!**

Assembly: The first gate leaf.

Double Professional gate 3000 and 4000 mm

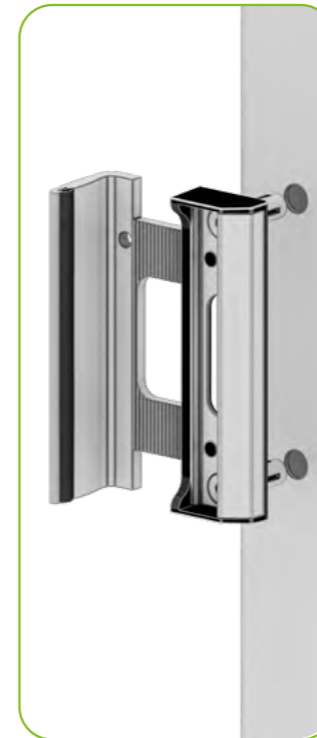
Hold the gate leaf in position and tighten the nut around the eye bolt securely, but don't tighten it completely, you might have to adjust the position of the gate later.

Install the hinge pin. Block the pin with, for example, the tip of the Phillips screwdriver or an Allen key. The nut can be tightened like this without the hinge pin rotating.



Assembly: The lock keep.

Double Professional gate 3000 and 4000 mm



Place the keep to the wing. Hold the striker parts against the holes in the gate leaf and insert the hollow bolts through the leaf from the outside. On the inside of the wing, hold the handle and insert the carriage bolts through it. Tighten the bolts with an Allen key.

Assembly: The second post.

Double Professional gate 3000 and 4000 mm

Now place the second post in the hole you drilled or dug. Measure the exact position of the second post by means of the second wing. Secure the post with concrete and level it. Make sure the concrete has hardened before mounting the leaf.

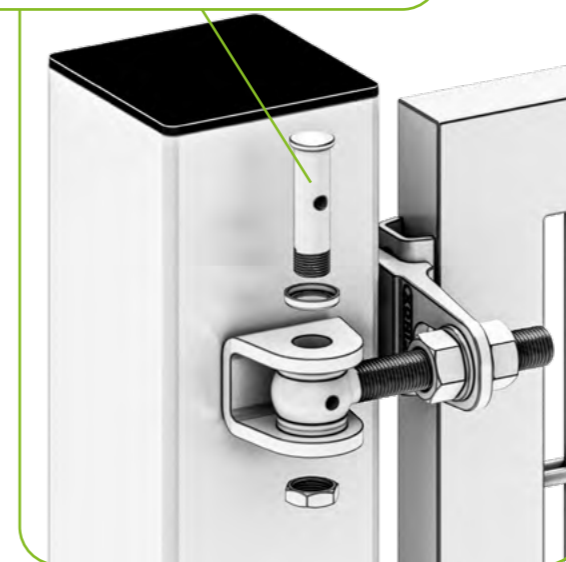
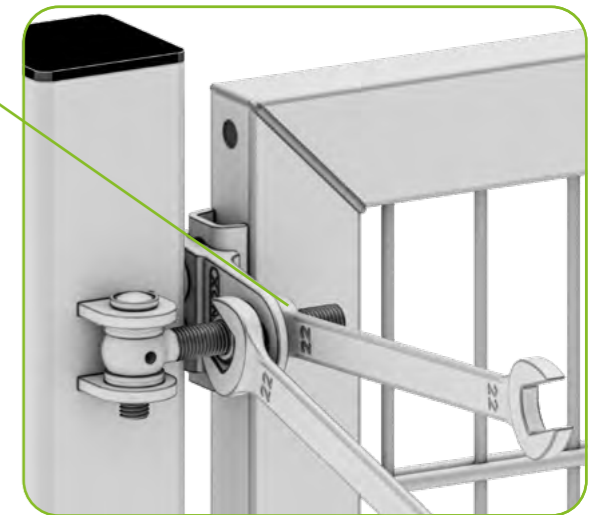


Assembly: The second gate leaf.

Double Professional gate 3000 and 4000 mm

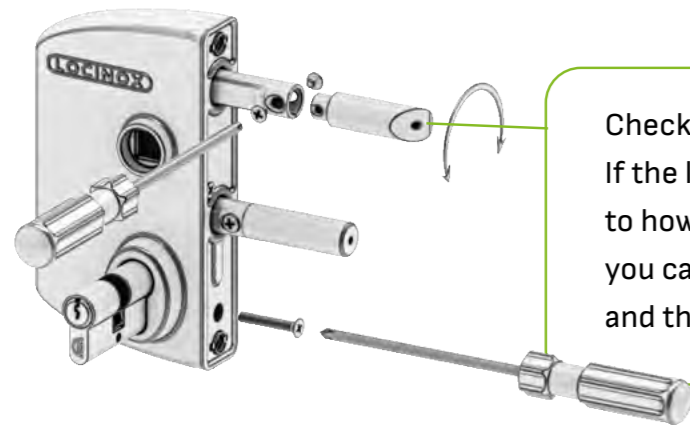
Now mount the second leaf to the corresponding post. If needed, the nuts can be tightened to make the eyebolts fit.

Install the hinge pin. Block the pin with, for example, the tip of the Phillips screwdriver or an Allen key. The nut can be tightened like this without the hinge pin rotating.



Assembly: The lock.

Double Professional gate 3000 and 4000 mm



Check if the latchbolt is positioned correctly. If the latchbolt is the wrong way around compared to how you open and close the gate, you can turn it around by loosening the screws and then turning the latchbolt 180°.



Around the bolts that hold the lock come spacers. As a result, the head of the bolt does not sink so deeply into the frame. This makes mounting easier.

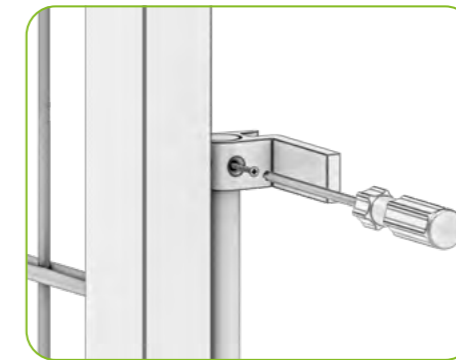


The bolt can be screwed in a bit by hand, temporarily using the black cover cap over the head of the bolt. The bolt can then be tightened with the Allen key. To close it off, the black cap can be placed over the bolt.

Assembly: Dropbolt.

Double Professional gate 3000 and 4000 mm

To make sure the drop bolt is secured in the ground, make a hole of at least 2 cm wide and make sure the bolt is deep enough in the ground. When making a hole in sand, you could consider to use a pipe where the bolt falls in.

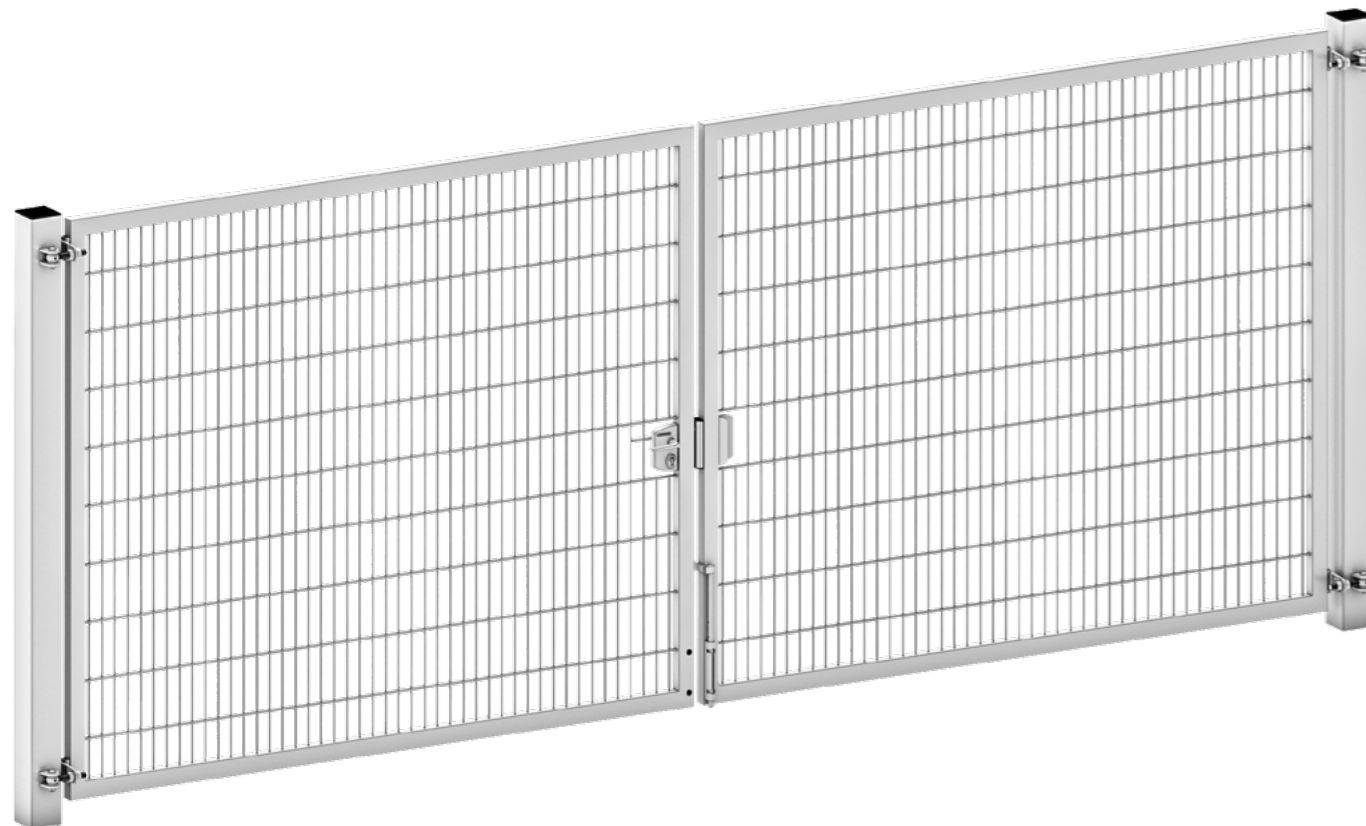


Slide the handle on the bolt and tighten the screw. Then slide the bolt in the holder previously installed and keep the bolt in place by inserting the little pin in one of the desired holes in the bolt.



Congratulations,
your gate is installed!

Double Professional gate 3000 and 4000 mm



You made a good choice,
these people also bought
this gate!

Double Professional gate 3000 and 4000 mm



Did you find this manual useful?
We would love to hear your feedback!



Send your reactions to:
customerservice@fenceonline.co.uk